

Statligt Ramavtal - Möbler och inredning

Delområde – Möten och paus



Edsbyn

Produktlista nr 1



25% Rabatt skall dras av angivna priser

AB Evert Lindelöf Inredningsservice

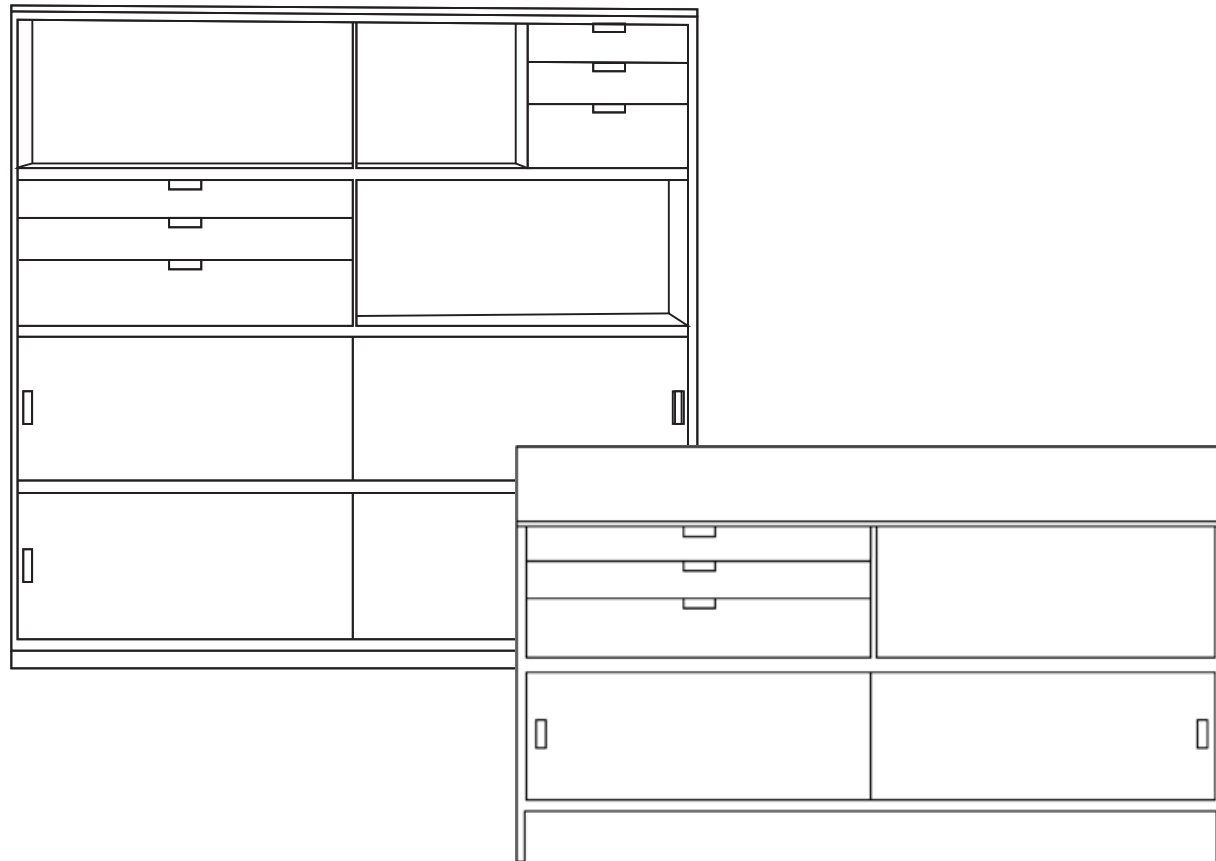
556071-3462

Avtalsnummer 23.3-5834-2022-012

AB Evert Lindelöf.

Edsbyn Pricelist

For 2024, VER 20240202
SEK - Lindelöf



EDSBYN

25% Rabatt skall dras av angivna priser

Contents

Tables

| | |
|--------------------------|----|
| Allround | 4 |
| Choice Conference | 6 |
| College | 10 |
| Cone | 12 |
| Feather Conference | 15 |
| Feather Table | 18 |
| Piece | 21 |

Seating

| | |
|-----------------------|----|
| Arc Chair/Stool | 31 |
| Clair Café Sofa | 33 |
| Feather Chair | 35 |
| Gather | 37 |
| Hug | 39 |
| Modular Chair | 41 |

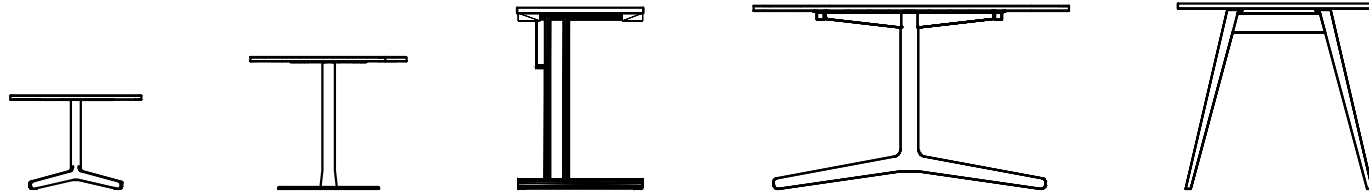
Accessories

| | |
|--------------------------------------|----|
| For Access, Ease, Embrace, etc | 44 |
| General Conditions | 52 |

EDSBYN

25% Rabatt skall dras av angivna priser

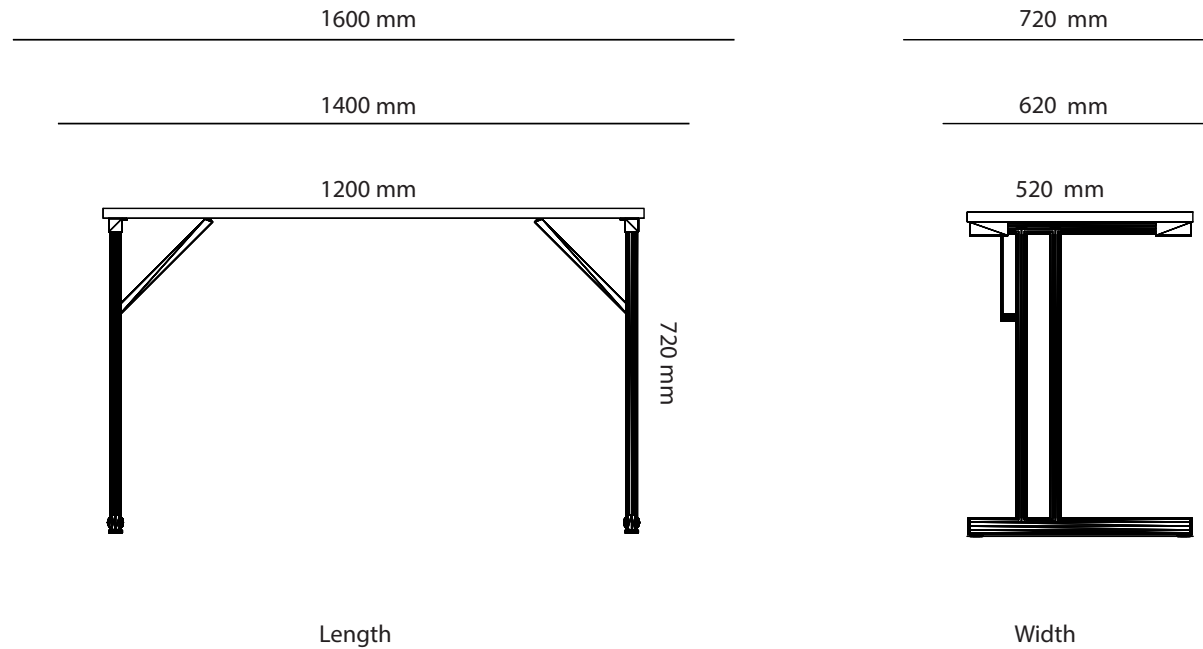
Tables



EDSBYN

25% Rabatt skall dras av angivna priser

Allround Table



SURFACE LAYER/COLOUR

| Desktop | Laminate | Veneer |
|------------|------------|--------|
| Beige | White | Birch |
| Light grey | Light grey | |
| Black | Dark grey | |

All other materials and colors are offered separately

EDSBYN

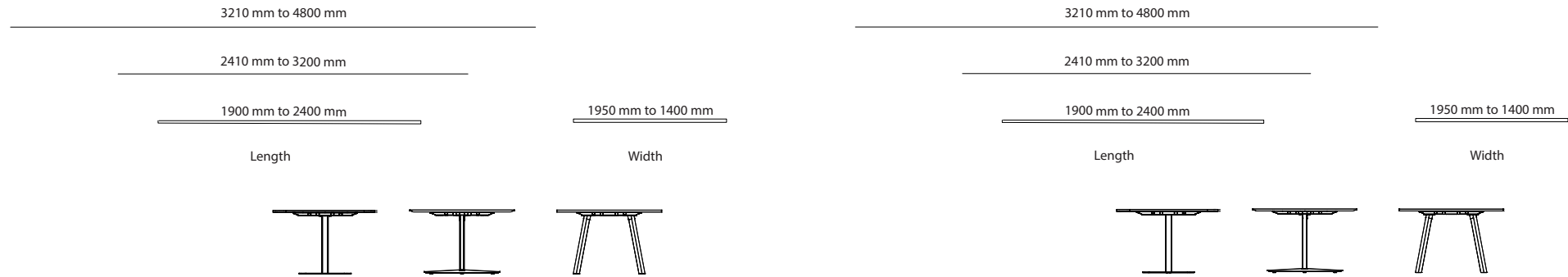
25% Rabatt skall dras av angivna priser

Allround

| Art.no. | Table | Laminate | Veneer | Desktop |
|----------|---------------------------|----------|----------|----------|
| 16A12052 | Allround table 1200x520mm | 3 102 kr | 3 677 kr | 3 677 kr |
| 16A12062 | Allround table 1200x620mm | 3 232 kr | 3 807 kr | 3 807 kr |
| 16A12072 | Allround table 1200x720mm | 3 325 kr | 3 900 kr | 3 900 kr |
| 16A14052 | Allround table 1400x520mm | 3 135 kr | 3 710 kr | 3 710 kr |
| 16A14062 | Allround table 1400x620mm | 3 197 kr | 3 932 kr | 3 932 kr |
| 16A14072 | Allround table 1400x720mm | 3 393 kr | 3 968 kr | 3 968 kr |

EDSBYN

25% Rabatt skall dras av angivna priser



Rectangular

Optional legs for table top

Corner radius 150 mm

Optional legs for table top

SURFACE LAYER/COLOR

| Desktop | HPL (High pressure laminate) | Veneer | Laminate |
|--------------------|---------------------------------------|------------------|-------------------------|
| Mushroom (4176) | Group 1 White | Birch | Group 1 White |
| Pebble (4175) | Light Grey | Oak natural | Light Grey |
| Pewter (4155) | Dark Grey | Oak white glazed | Dark Grey |
| Nero (4023) | Black | Ash white glazed | Group 2 Beech |
| Charcoal (4166) | Group 2 Black anti fingerprint | Black stained | Birch |
| Smokey Blue (4179) | Beech | | Oak |
| Mauve (4172) | Birch | | Oak White glazed |
| Ash (4132) | Oak | | Ash White glazed |
| Conifer (4174) | Oak White glazed | | Black stained Woodgrain |
| Burgundy (4154) | Ash White glazed | | |
| | Black stained Woodgrain | | |

All other materials and colors are offered seperately

EDSBYN

25% Rabatt skall dras av angivna priser

Choice Conference

| Art.no. | Conference Table Desktop Connection | Laminate Group 1 | Laminate Group 2 | HPL Group 1 | HPL Group 2 | Desktop | Veneer |
|--------------------------------------|--|------------------|------------------|-------------|-------------|-----------|-----------|
| 27Z16D1 | Choice Conference (mellandel) 1600 x 800-940mm | 4 341 kr | 4 514 kr | 5 062 kr | 5 135 kr | 5 840 kr | |
| 27Z16D12 | Choice Conference (mellandel) 1600 x 950-1400mm | 4 831 kr | 5 042 kr | 5 741 kr | 5 833 kr | 6 704 kr | |
| Conference Table radius 150mm | | | | | | | |
| 27B14D1 | Choice Conference (R150mm) 1400-1890 x 800-940mm | 5 959 kr | 6 132 kr | 6 680 kr | 6 753 kr | 7 458 kr | 8 049 kr |
| 27B14D2 | Choice Conference (R150mm) 1400-1890 x 950-1400mm | 6 559 kr | 6 770 kr | 7 469 kr | 7 561 kr | 8 432 kr | 9 023 kr |
| 27B19D1 | Choice Conference (R150mm) 1900-2400 x 800-940mm | 6 458 kr | 6 681 kr | 7 409 kr | 7 505 kr | 8 423 kr | 9 173 kr |
| 27B19D2 | Choice Conference (R150mm) 1900-2400 x 950-1400mm | 7 169 kr | 7 441 kr | 8 364 kr | 8 484 kr | 9 617 kr | 10 372 kr |
| 27B24D1 | Choice Conference (R150mm) 2410-3200 x 800-940mm | 7 440 kr | 7 729 kr | 8 688 kr | 8 813 kr | 10 010 kr | 10 010 kr |
| 27B24D2 | Choice Conference (R150mm) 2410-3200 x 950-1400mm | 8 298 kr | 8 651 kr | 9 872 kr | 10 029 kr | 11 508 kr | 12 474 kr |
| 27B32D1 | Choice Conference (R150mm) 3210-4800 x 800-940mm | 11 133 kr | 11 544 kr | 12 938 kr | 13 119 kr | 14 831 kr | 16 198 kr |
| 27B32D2 | Choice Conference (R150mm) 3210-4800 x 950-1400mm | 12 382 kr | 12 884 kr | 14 657 kr | 14 885 kr | 17 006 kr | 18 358 kr |
| Conference Table rectangular | | | | | | | |
| 27A14D1 | Choice Conference (rectang) 1400-1890 x 800-940mm | 5 675 kr | 6 132 kr | 6 680 kr | 6 753 kr | 7 458 kr | 8 049 kr |
| 27A14D2 | Choice Conference (rectang) 1400-1890 x 950-1400mm | 6 559 kr | 6 770 kr | 7 469 kr | 7 561 kr | 8 432 kr | 9 023 kr |
| 27A19D1 | Choice Conference (rectang) 1900-2400 x 800-940mm | 6 458 kr | 6 681 kr | 7 409 kr | 7 505 kr | 8 423 kr | 9 173 kr |
| 27A19D2 | Choice Conference (rectang) 1900-2400 x 950-1400mm | 6 828kr | 7 441 kr | 8 364 kr | 8 484 kr | 9 617 kr | 9 878 kr |
| 27A24D1 | Choice Conference (rectang) 2410-3200 x 800-940mm | 7 440 kr | 7 729 kr | 8 688 kr | 8 813 kr | 10 010 kr | 10 979 kr |
| 27A24D2 | Choice Conference (rectang) 2410-3200 x 950-1400mm | 8 298 kr | 8 651 kr | 9 872 kr | 10 029 kr | 11 508 kr | 12 474 kr |
| 27A32D1 | Choice Conference (rectang) 3210-4800 x 800-940mm | 11 133 kr | 11 544 kr | 12 938 kr | 13 119 kr | 14 831 kr | 16 198 kr |
| 27A32D2 | Choice Conference (rectang) 3210-4800 x 950-1400mm | 12 382 kr | 12 884 kr | 14 657 kr | 14 885 kr | 17 006 kr | 18 358 kr |

*Mellandel i faner hanteras som offertprodukt för att säkerställa kvalitén på mönsterpassningen (fanermatchningen) med "huvudbordet".

EDSBYN

25% Rabatt skall dras av angivna priser

Choice Conference

Options

| Cable Management | Price |
|--------------------------|--------------|
| 2-line hole Ø80mm | 172 kr |
| 4-line hole Ø80mm | 172 kr |
| Cable cover | 970 kr |
| Cable door Choice | 2 048 kr |
| Cutout for Bi-Box Large | 164 kr |
| Double 2-line hole Ø80mm | 172 kr |

Conference table double

| Cable Management | |
|--------------------------|----------|
| 2-line hole Ø80mm | 344 kr |
| 4-line hole Ø80mm | 344 kr |
| Cable cover | 1 940 kr |
| Cable door Choice | 4 095 kr |
| Cutout for Bi-Box Large | 344 kr |
| Double 2-line hole Ø80mm | 344 kr |

EDSBYN

25% Rabatt skall dras av angivna priser

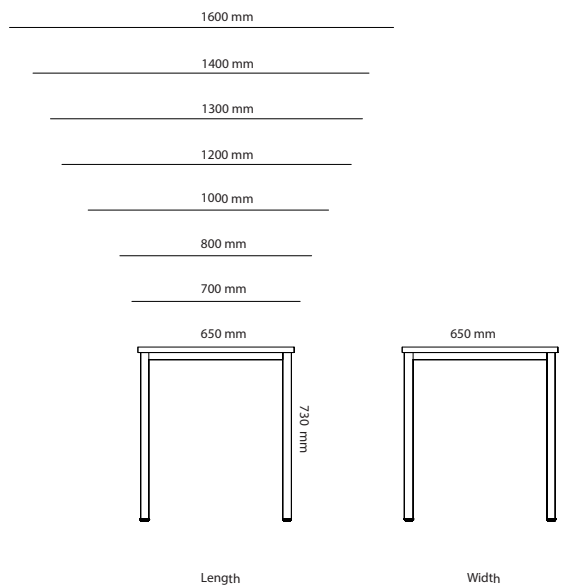
Choice Conference

Options

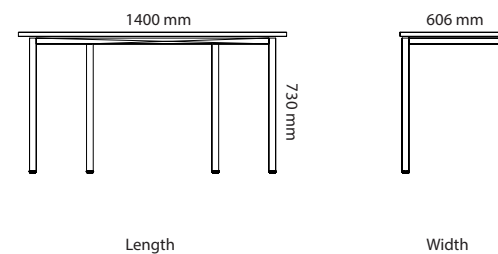
| | Choice Conference | Stand | | | |
|---------|---|-------------------------------------|-------------------------------------|--------------------------------|--|
| | | Square legs height 730mm | Square legs height 900mm | T-foot height 730mm | Plate based foot height 730mm |
| 27B19D2 | Choice Conference (R150mm) 1900-2400 x 950-1400mm | Included in price | 254 kr | 1 767 kr | 3 943 kr |
| 27B24D2 | Choice Conference (R150mm) 2410-3200 x 950-1400mm | Included in price | 254 kr | 1 767 kr | 3 973 kr |
| 27B32D2 | Choice Conference (R150mm) 3210-4800 x 950-1400mm | Included in price | 381 kr | 2 651 kr | 5 914 kr |
| 27A19D2 | Choice Conference (rectang) 1900-2400 x 950-1400mm | Included in price | 254 kr | 1 767 kr | 3 943 kr |
| 27A24D2 | Choice Conference (rectang) 2410-3200 x 950-1400mm | Included in price | 254 kr | 1 767 kr | 3 943 kr |
| 27A32D2 | Choice Conference (rectang) 3210-4800 x 950-1400mm | Included in price | 381 kr | 2 651 kr | 5 914 kr |

EDSBYN

25% Rabatt skall dras av angivna priser



Table



Trapezium table

SURFACE LAYER/COLOUR

| Desktop | Laminate | Veneer |
|------------|------------|--------|
| Beige | White | Birch |
| Light grey | Light grey | |
| Black | Dark grey | |

All other materials and colors are offered separately

EDSBYN

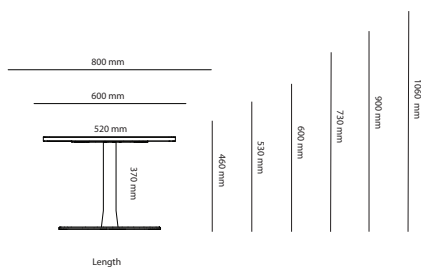
25% Rabatt skall dras av angivna priser

College

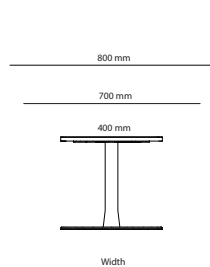
| Art.no. | Table | Laminate | Veneer | Desktop |
|----------|--|----------|----------|----------|
| 24A10070 | College table 1000x700mm | 2 876 kr | 3 415 kr | 3 415 kr |
| 24A12070 | College table 1200x700mm | 3 094 kr | 3 633 kr | 3 633 kr |
| 24A12080 | College table 1200x800mm | 3 134 kr | 3 673 kr | 3 673 kr |
| 24A13065 | College table 1300x650mm | 3 094 kr | 3 633 kr | 3 633 kr |
| 24A14070 | College table 1400x700mm | 3 243 kr | 3 782 kr | 3 782 kr |
| 24A14080 | College table 1400x800mm | 3 362 kr | 3 901 kr | 3 901 kr |
| 24A16080 | College table 1600x800mm | 3 462 kr | 4 001 kr | 4 001 kr |
| 24A6565 | College table 650x650mm | 2 573 kr | 3 112 kr | 3 112 kr |
| 24A7070 | College table 700x700mm | 2 629 kr | 3 168 kr | 3 168 kr |
| 24A8065 | College table 800x650mm | 2 666 kr | 3 205 kr | 3 205 kr |
| | Trapezium table | | | |
| 24B14070 | College table (trapezium) 1400/700/700mm | | 3 987 kr | 3 987 kr |

EDSBYN

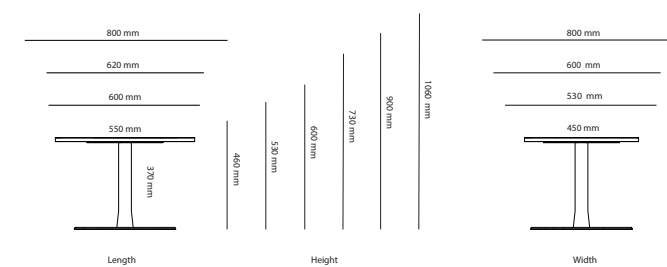
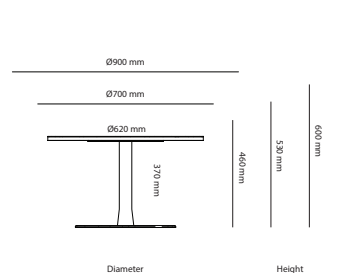
25% Rabatt skall dras av angivna priser



Square/Rectangle



Round



Radius

SURFACE LAYER/COLOUR

| Desktop | HPL | Laminate | Veneer | Stained Veneer | Solid | Marble |
|------------|------------|------------|--------|----------------|-------|-----------------|
| Beige | White | White | Birch | White Ash | Ash | Bianco Carrara |
| Light grey | Light grey | Light grey | Oak | Black | Oak | Verde Guatemala |
| Black | Dark grey | Dark grey | | | | Emperador Dark |
| | Black | | | | | |

All other materials and colors are offered separately

EDSBYN

25% Rabatt skall dras av angivna priser

| Art.no. | Corner radius | Laminate | HPL | Veneer | Desktop | Solid | Marble |
|--------------------|---|----------|----------|----------|----------|----------|-----------|
| 46C5545 | Cone table (150mm corner radius) 550x450mm | 3 283 kr | 3 715 k | 3 844 kr | 4 226 kr | | |
| 46C5545M | Cone marble table (150mm corner radius) 550x450mm | | | | | | 11 172 kr |
| 46C5545S | Cone solid table (150mm corner radius) 550x450mm | | | | | 5 230 kr | |
| 46C6060 | Cone table (150mm corner radius) 600x600mm | 3 767 kr | 4 199 kr | 4 328 kr | 4 710 kr | | |
| 46C6060M | Cone marble table (150mm corner radius) 600x600mm | | | | | | 12 886 kr |
| 46C6060S | Cone solid table (150mm corner radius) 600x600mm | | | | | 5 684 kr | |
| 46C6253 | Cone table (150mm corner radius) 620x530mm | 3 767 kr | 4 199 kr | 4 328 kr | 4 710 kr | | |
| 46C6253M | Cone marble table (150mm corner radius) 620x530mm | | | | | | 13 349 kr |
| 46C6253S | Cone solid table (150mm corner radius) 620x530mm | | | | | 5 684 kr | |
| 46C8080 | Cone table (300mm corner radius) 800x800mm | 4 331 kr | 4 763 kr | 4 892 kr | 5 274 kr | | |
| 46C8080M | Cone marble table (300mm corner radius) 800x800mm | | | | | | 18 569 kr |
| 46C8080S | Cone solid table (300mm corner radius) 800x800mm | | | | | 8 001 kr | |
| Rectangular | | | | | | | |
| 46A5240 | Cone table (rectangular) 520x400mm | 3 283 kr | 3 715 kr | 3 844 kr | 4 226 kr | | |
| 46A5240M | Cone marble table (rectangular) 520x400mm | | | | | | 9 597 kr |
| 46A5240S | Cone solid table (rectangular) 520x400mm | | | | | 4 660 kr | |
| 46A6070 | Cone table (rectangular) 600x700mm | 3 968 kr | 4 400 kr | 4 529 kr | 4 911 kr | | |
| 46A6070M | Cone marble table (rectangular) 600x700mm | | | | | | 13 400 kr |
| 46A6070S | Cone solid table (rectangular) 600x700mm | | | | | 5 987 kr | |
| 46A8080 | Cone table (rectangular) 800x800mm | 4 331 kr | 4 763 kr | 4 892 kr | 5 274 kr | | |
| 46A8080M | Cone marble table (rectangular) 800x800mm | | | | | | 16 041 kr |
| 46A8080S | Cone solid table (rectangular) 800x800mm | | | | | 8 001 kr | |

EDSBYN

25% Rabatt skall dras av angivna priser

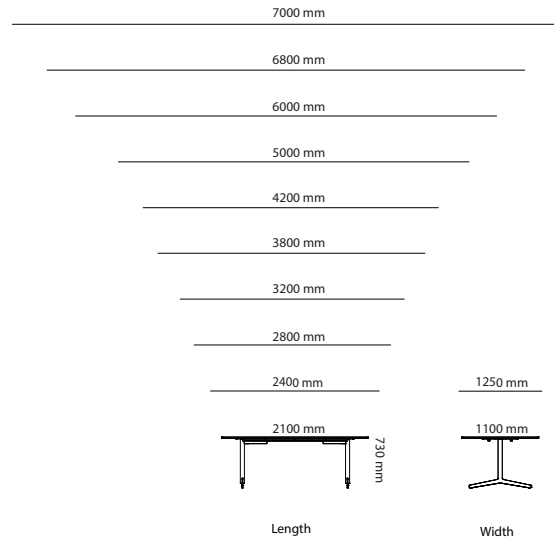
Cone

14

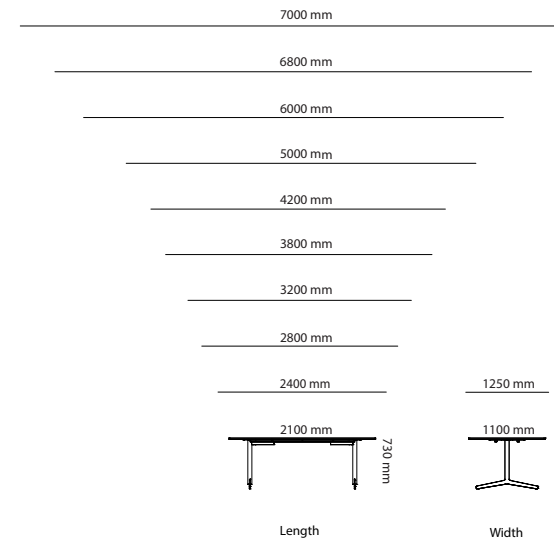
| Art.no. | Round | Laminate | HPL | Veneer | Desktop | Solid | Marble |
|---------|--------------------------|----------|----------|----------|----------|----------|-----------|
| 46B115 | Cone table Ø1150mm | 5 779 kr | 6 211 kr | 6 340 kr | 6 722 kr | | |
| 46B62 | Cone table Ø620mm | 3 283 kr | 3 715 kr | 3 844 kr | 4 226 kr | | |
| 46B62M | Cone marble table Ø620mm | | | | | | 12 971 kr |
| 46B62S | Cone solid table Ø620mm | | | | | 5 192 kr | |
| 46B70 | Cone table Ø700mm | 3 779 kr | 4 400 kr | 4 529 kr | 4 911 kr | | |
| 46B70M | Cone marble table Ø700mm | | | | | | 14 873 kr |
| 46B70S | Cone solid table Ø700mm | | | | | 6 720 kr | |
| 46B90 | Cone table Ø900mm | 4 545 kr | 4 977 kr | 4 863 kr | 5 488 kr | | |
| 46B90M | Cone marble table Ø900mm | | | | | | 21 560 kr |
| 46B90S | Cone solid table Ø900mm | | | | | 8 046 kr | |

EDSBYN

25% Rabatt skall dras av angivna priser



Rectangle



With round corner

SURFACE LAYER/COLOUR

| Desktop | HPL | Veneer (Up to 1100 mm width) | Stained Veneer (Up to 1100 mm width) |
|---|------------|---------------------------------|---|
| | White | | |
| Beige | Light grey | | |
| Light grey | Dark grey | Birch | White Ash |
| Black | Black | Oak | Black |
| All other materials and colors are offered separately | | | |

EDSBYN

25% Rabatt skall dras av angivna priser

Feather Conference

| Art.no. | Conference Table radius 300 mm | Veneer | HPL | Desktop |
|-----------|---|-----------|-----------|-----------|
| 44B210110 | Feather conference (radius 300mm) 2100x1100mm | 14 604 kr | 14 940 kr | 16 645 kr |
| 44B210125 | Feather conference (radius 300mm) 2100x1250mm | | 16 704 kr | 18 409 kr |
| 44B240110 | Feather conference (radius 300mm) 2400x1100mm | 15 037 kr | 15 507 kr | 17 599 kr |
| 44B240125 | Feather conference (radius 300mm) 2400x1250mm | | 17 292 kr | 19 384 kr |
| 44B280110 | Feather conference (radius 300mm) 2800x1100mm | 23 380 kr | 24 483 kr | 25 388 kr |
| 44B280125 | Feather conference (radius 300mm) 2800x1250mm | | 27 383 kr | 28 288 kr |
| 44B320110 | Feather conference (radius 300mm) 3200x1100mm | 23 380 kr | 24 483 kr | 25 388 kr |
| 44B320125 | Feather conference (radius 300mm) 3200x1250mm | | 27 383 kr | 28 288 kr |
| 44B380110 | Feather conference (radius 300mm) 3800x1100mm | 24 216 kr | 24 917 kr | 28 302 kr |
| 44B380125 | Feather conference (radius 300mm) 3800x1250mm | | 27 835 kr | 31 220 kr |
| 44B420110 | Feather conference (radius 300mm) 4200x1100mm | 24 970 kr | 25 671 kr | 29 056 kr |
| 44B420125 | Feather conference (radius 300mm) 4200x1250mm | | 28 611 kr | 31 996 kr |
| | Conference Table rectangular | | | |
| 44A210110 | Feather conference (rectangular) 2100x1100mm | 14 604 kr | 14 940 kr | 16 645 kr |
| 44A210125 | Feather conference (rectangular) 2100x1250mm | | 16 704 kr | 18 409 kr |
| 44A240110 | Feather conference (rectangular) 2400x1100mm | 15 037 kr | 15 507 kr | 17 599 kr |
| 44A240125 | Feather conference (rectangular) 2400x1250mm | | 17 292 kr | 19 384 kr |
| 44A280110 | Feather conference (rectangular) 2800x1100mm | 23 380 kr | 24 483 kr | 25 388 kr |
| 44A280125 | Feather conference (rectangular) 2800x1250mm | | 27 383 kr | 28 288 kr |
| 44A320110 | Feather conference (rectangular) 3200x1100mm | 23 380 kr | 24 483 kr | 25 388 kr |
| 44A320125 | Feather conference (rectangular) 3200x1250mm | | 27 383 kr | 28 288 kr |
| 44A380110 | Feather conference (rectangular) 3800x1100mm | 24 216 kr | 24 917 kr | 28 302 kr |
| 44A380125 | Feather conference (rectangular) 3800x1250mm | | 27 835 kr | 31 220 kr |
| 44A420110 | Feather conference (rectangular) 4200x1100mm | 24 970 kr | 25 671 kr | 29 056 kr |
| 44A420125 | Feather conference (rectangular) 4200x1250mm | | 28 611 kr | 31 996 kr |

EDSBYN

25% Rabatt skall dras av angivna priser

Feather Conference

| Art.no. | Conference intermediate top | Veneer | HPL | Desktop |
|-----------|---|--------|-----------|-----------|
| 44Z180110 | Feather conference intermediate top 1800x1100mm | | 10 778 kr | 11 240 kr |
| 44Z180125 | Feather conference intermediate top 1800x1250mm | | 12 227 kr | 12 689 kr |

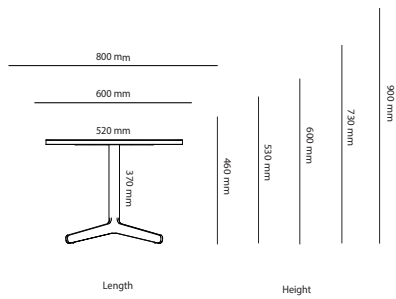
Options

| Cable Management | Price |
|--|----------|
| Cutout for Bi-Box Large | 183 kr |
| Cutout for Powerbox, Bi-Box Small (F) | 183 kr |
| Cutout for Bi-Box Large, 2 pcs | 366 kr |
| Cutout for Powerbox, Bi-Box Small, 2 pcs | 366 kr |
| Cable door Feather | 3 625 kr |
| Cable door Feather, 2 pcs | 7 250 kr |
| Color of Stand | |
| Misty grey | 1 136 kr |
| Dark Chocolate | 1 136 kr |
| Chrome stand, mid section 1800 mm | 2 346 kr |
| Chrome stand, 2100x1100 | 3 008 kr |
| Chrome stand, 2400x1100 | 3 179 kr |
| Chrome stand, 3200x1100 | 4 934 kr |
| Chrome stand, 2800x1100 | 4 934 kr |
| Chrome stand, 3800x1100 | 5 232 kr |
| Chrome stand, 4200x1100 | 5 530 kr |

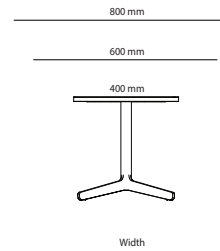
EDSBYN

25% Rabatt skall dras av angivna priser

Feather Table

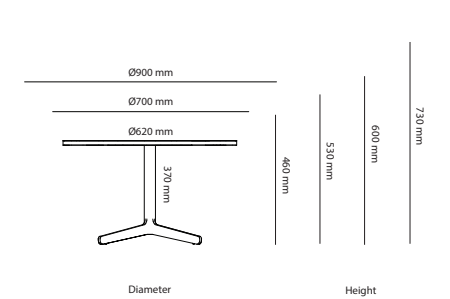


Length Height



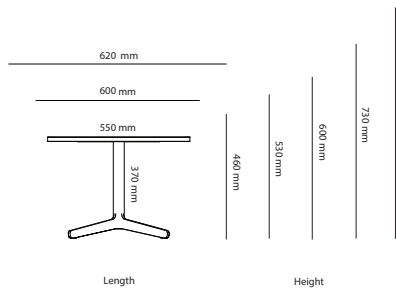
Width

Square/Rectangle

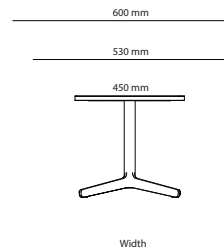


Diameter Height

Round

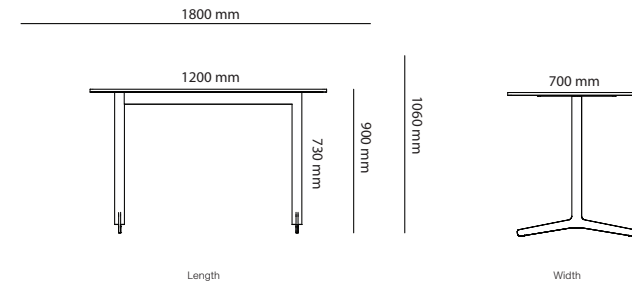


Length Height



Width

With round corners



Length Width

SURFACE LAYER/COLOUR

| Desktop | HPL | Laminate | Veneer | Stained Veneer | Solid | Marble |
|------------|--------------------|------------|--------|----------------|-------|-----------------|
| Beige | White | White | Birch | White Ash | Ash | Bianco Carrara |
| Light grey | Light grey | Light grey | Oak | Black | Oak | Verde Guatemala |
| Black | Dark grey Black | Dark grey | | | | Emperador Dark |

All other materials and colors are offered separately

EDSBYN

25% Rabatt skall dras av angivna priser

Feather Table

| Art.no. | Corner radius | Laminate | Veneer | HPL | Desktop | Solid | Marble |
|-----------|--|-----------|-----------|-----------|-----------|----------|-----------|
| 43C21090 | Feather table (150mm corner radius) 2100x900mm | 10 143 kr | 11 662 kr | 11 768 kr | 13 629 kr | | |
| 43C5545 | Feather table (150mm corner radius) 550x450mm | 3 804 kr | 4 365 kr | 4 236 kr | 4 747 kr | | |
| 43C5545M | Feather marble table (150mm radius) 550x450mm | | | | | | 11 685 kr |
| 43C5545S | Feather solid table (150mm radius) 550x450mm | | | | | 5 751 kr | |
| 43C6060 | Feather table (150mm corner radius) 600x600mm | 3 804 kr | 4 365 kr | 4 236 kr | 4 747 kr | | |
| 43C6060M | Feather marble table (150mm radius) 600x600mm | | | | | | 12 922 kr |
| 43C6060S | Feather solid table (150mm radius) 600x600mm | | | | | 5 720 kr | |
| 43C6253 | Feather table (150mm corner radius) 620x530mm | 3 804 kr | 4 365 kr | 4 236 kr | 4 747 kr | | |
| 43C6253M | Feather marble table (150mm radius) 620x530mm | | | | | | 13 384 kr |
| 43C6253S | Feather solid table (150mm radius) 620x530mm | | | | | 5 720 kr | |
| 43C8080 | Feather table (300mm corner radius) 800x800mm | 5 014 kr | 5 575 kr | 5 446 kr | 5 957 kr | | |
| 43C8080M | Feather marble table (300mm radius) 800x800mm | | | | | | 19 252 kr |
| 43C8080S | Feather solid table (300mm radius) 800x800mm | | | | | 8 684 kr | |
| 43TC14060 | Feather table (150mm corner radius) 1400x600mm | 7 823 kr | 8 619 kr | 8 864 kr | 10 364 kr | | |

EDSBYN

25% Rabatt skall dras av angivna priser

Feather Table

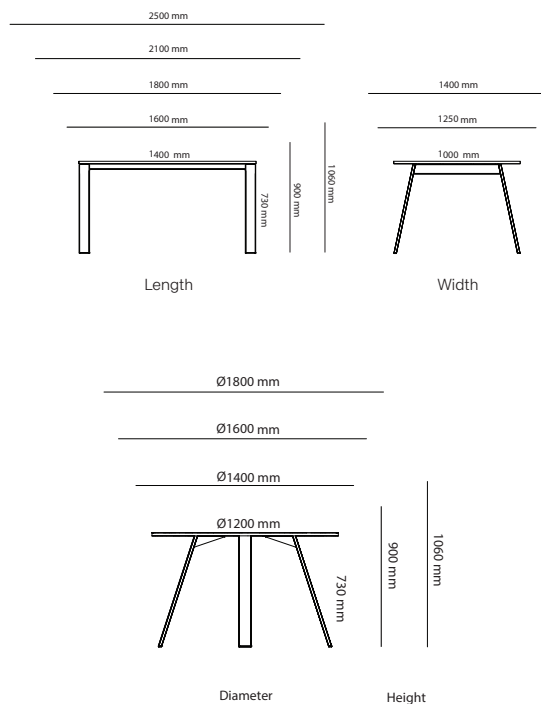
20

| Art.no. | Rectangular | Laminate | Veneer | HPL | Desktop | Solid | Marble |
|-----------|---|----------|----------|----------|-----------|----------|-----------|
| 43A5240 | Feather table (rectangular) 520x400mm | 3 804 kr | 4 365 kr | 4 236 kr | 4 747 kr | | |
| 43A5240M | Feather marble table (rectangular) 520x400mm | | | | | | 10 109 kr |
| 43A5240S | Feather solid table (rectangular) 520x400mm | | | | | 4 614 kr | |
| 43A6070 | Feather table (rectangular) 600x700mm | 4 780 kr | 5 341 kr | 5 212 kr | 5 723 kr | | |
| 43A6070M | Feather marble table (rectangular) 600x700mm | | | | | | 14 200 kr |
| 43A6070S | Feather solid table (rectangular) 600x700mm | | | | | 6 799 kr | |
| 43A8080 | Feather table (rectangular) 800x800mm | 5 014 kr | 5 575 kr | 5 446 kr | 5 957 kr | | |
| 43A8080M | Feather marble table (rectangular) 800x800mm | | | | | | 16 723 kr |
| 43A8080S | Feather solid table (rectangular) 800x800mm | | | | | 8 684 kr | |
| 43T12070 | Feather table (rectangular) 1200x700mm | 7 620 kr | 8 416 kr | 8 661 kr | 10 161 kr | | |
| 43T12070M | Feather marble table (rectangular) 1200x700mm | | | | | | 20 677 kr |
| 43T14060 | Feather table (rectangular) 1400x600mm | 7 823 kr | 8 619 kr | 8 864 kr | 10 364 kr | | |
| 43T18070 | Feather table (rectangular) 1800x700mm | 8 335 kr | 9 131 kr | 9 376 kr | 10 876 kr | | |
| | Round | | | | | | |
| 43B115 | Feather table Ø1150mm | 6 577 kr | 7 138 kr | 7 009 kr | 7 520 kr | | |
| 43B62 | Feather table Ø620mm | 3 804 kr | 4 365 kr | 4 236 kr | 4 747 kr | | |
| 43B62M | Feather marble table Ø620mm | | | | | | 13 483 kr |
| 43B62S | Feather solid table Ø620mm | | | | | 5 713 kr | |
| 43B70 | Feather table Ø700mm | 4 780 kr | 5 341 kr | 5 212 kr | 5 723 kr | | |
| 43B70M | Feather marble table Ø700mm | | | | | | 15 673 kr |
| 43B70S | Feather solid table Ø700mm | | | | | 7 532 kr | |
| 43B90 | Feather table Ø900mm | 5 237 kr | 5 798 kr | 5 669 kr | 6 180 kr | | |
| 43B90M | Feather marble table Ø900mm | | | | | | 22 241 kr |
| 43B90S | Feather solid table Ø900mm | | | | | 8 749 kr | |

EDSBYN

25% Rabatt skall dras av angivna priser

Piece

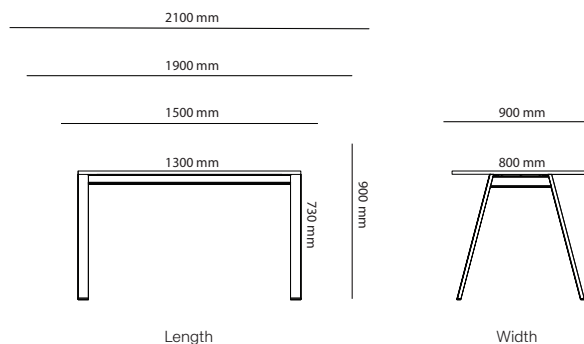


Piece

SURFACE LAYER/COLOUR

| Laminate | Desktop | HPL | Veneer | Stained Veneer |
|----------|------------|------------|--------|----------------|
| | Beige | White | Birch | White Ash |
| | Light grey | Light grey | Oak | Black |
| | Black | Dark grey | | Black |

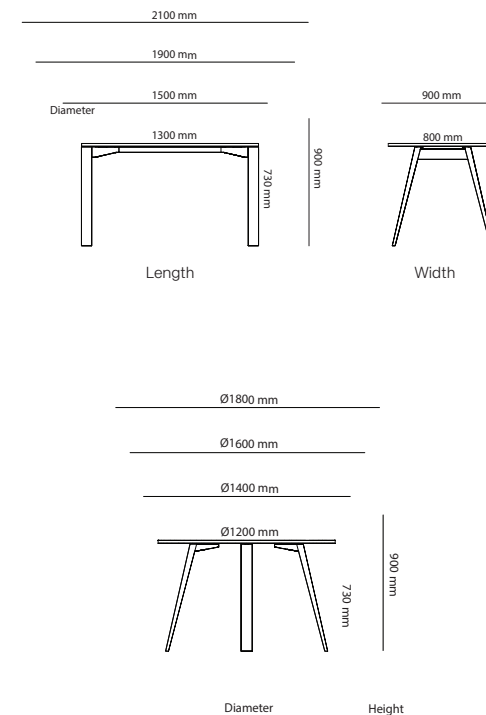
All other materials and colors are offered separately



Piece Light

| Laminate | Desktop | HPL | Veneer | Stained Veneer |
|------------|------------|------------|--------|----------------|
| White | Beige | White | Birch | White Ash |
| Light grey | Light grey | Light grey | Oak | Black |
| Dark grey | Black | Dark grey | | Black |

All other materials and colors are offered separately



Piece Wood

| Laminate | Desktop | HPL | Veneer | Stained Veneer |
|------------|------------|------------|--------|----------------|
| | Beige | White | Birch | White Ash |
| White | Light grey | Light grey | Oak | Black |
| Light grey | Black | Dark grey | | |
| Dark grey | | Black | | |

All other materials and colors are offered separately

EDSBYN

25% Rabatt skall dras av angivna priser

| Art.no. | Piece Conference Table | HPL | Veneer | Desktop |
|-----------|---------------------------------------|-----------|-----------|-----------|
| 41A140100 | Piece table (stand-alone) 1400x1000mm | 14 509 kr | 14 934 kr | 17 498 kr |
| 41A140125 | Piece table (stand-alone) 1400x1250mm | 15 079 kr | 15 504 kr | 18 068 kr |
| 41A140140 | Piece table (stand-alone) 1400x1400mm | 15 941 kr | 16 366 kr | 18 930 kr |
| 41A160100 | Piece table (stand-alone) 1600x1000mm | 14 509 kr | 14 934 kr | 17 498 kr |
| 41A160125 | Piece table (stand-alone) 1600x1250mm | 15 079 kr | 15 504 kr | 18 068 kr |
| 41A160140 | Piece table (stand-alone) 1600x1400mm | 15 941 kr | 16 366 kr | 18 930 kr |
| 41A180100 | Piece table (stand-alone) 1800x1000mm | 15 574 kr | 15 999 kr | 18 563 kr |
| 41A180125 | Piece table (stand-alone) 1800x1250mm | 16 205 kr | 16 630 kr | 19 194 kr |
| 41A180140 | Piece table (stand-alone) 1800x1400mm | 17 109 kr | 17 534 kr | 20 098 kr |
| 41A210100 | Piece table (stand-alone) 2100x1000mm | 15 574 kr | 15 999 kr | 18 563 kr |
| 41A210125 | Piece table (stand-alone) 2100x1250mm | 16 205 kr | 16 630 kr | 19 194 kr |
| 41A210140 | Piece table (stand-alone) 2100x1400mm | 17 109 kr | 17 534 kr | 20 098 kr |
| 41A250100 | Piece table (stand-alone) 2500x1000mm | 16 219 kr | 16 644 kr | 19 208 kr |
| 41A250125 | Piece table (stand-alone) 2500x1250mm | 17 072 kr | 17 497 kr | 20 061 kr |
| 41A250140 | Piece table (stand-alone) 2500x1400mm | 17 834 kr | 18 259 kr | 20 823 kr |
| 41A280100 | Piece table (stand-alone) 2800x1000mm | 27 738 kr | 28 586 kr | 33 714 kr |
| 41A280125 | Piece table (stand-alone) 2800x1250mm | 28 775 kr | 29 623 kr | 34 751 kr |
| 41A280140 | Piece table (stand-alone) 2800x1400mm | 30 266 kr | 31 114 kr | 36 242 kr |
| 41A320100 | Piece table (stand-alone) 3200x1000mm | 27 738 kr | 28 586 kr | 33 714 kr |
| 41A320125 | Piece table (stand-alone) 3200x1250mm | 28 775 kr | 29 623 kr | 34 751 kr |
| 41A320140 | Piece table (stand-alone) 3200x1400mm | 30 266 kr | 31 114 kr | 36 242 kr |
| 41A360100 | Piece table (stand-alone) 3600x1000mm | 29 870 kr | 30 718 kr | 35 846 kr |
| 41A360125 | Piece table (stand-alone) 3600x1250mm | 31 166 kr | 32 014 kr | 37 142 kr |
| 41A360140 | Piece table (stand-alone) 3600x1400mm | 32 601 kr | 33 449 kr | 38 577 kr |

EDSBYN

25% Rabatt skall dras av angivna priser

| Art.no. | Piece Conference Table | HPL | Veneer | Desktop |
|-----------|--|-----------|-----------|-----------|
| 41A420100 | Piece table (stand-alone) 4200x1000mm | 29 870 kr | 30 718 kr | 35 846 kr |
| 41A420125 | Piece table (stand-alone) 4200x1250mm | 31 166 kr | 32 014 kr | 37 142 kr |
| 41A420140 | Piece table (stand-alone) 4200x1400mm | 32 601 kr | 33 449 kr | 38 577 kr |
| 41A500100 | Piece table (stand-alone) 5000x1000mm | 31 159 kr | 32 007 kr | 37 135 kr |
| 41A500125 | Piece table (stand-alone) 5000x1250mm | 32 758 kr | 33 606 kr | 38 734 kr |
| 41A500140 | Piece table (stand-alone) 5000x1400mm | 34 051 kr | 34 899 kr | 40 027 kr |
| 41B140100 | Piece table (connected) 1400x1000mm | 13 229 kr | | 16 218 kr |
| 41B140125 | Piece table (connected) 1400x1250mm | 13 695 kr | | 16 684 kr |
| 41B140140 | Piece table (connected) 1400x1400mm | 14 324 kr | | 17 313 kr |
| 41B160100 | Piece table (connected) 1600x1000mm | 13 229 kr | | 16 218 kr |
| 41B160125 | Piece table (connected) 1600x1250mm | 13 695 kr | | 16 684 kr |
| 41B160140 | Piece table (connected) 1600x1400mm | 14 324 kr | | 17 313 kr |
| 41B180100 | Piece table (connected) 1800x1000mm | 14 294 kr | | 17 283 kr |
| 41B180125 | Piece table (connected) 1800x1250mm | 14 960 kr | | 17 949 kr |
| 41B180140 | Piece table (connected) 1800x1400mm | 15 490 kr | | 18 479 kr |
| 41B210100 | Piece table (connected) 2100x1000mm | 14 294 kr | | 17 283 kr |
| 41B210125 | Piece table (connected) 2100x1250mm | 14 960 kr | | 17 949 kr |
| 41B210140 | Piece table (connected) 2100x1400mm | 15 490 kr | | 18 479 kr |
| 41B250100 | Piece table (connected) 2500x1000mm | 14 939 kr | | 17 928 kr |
| 41B250125 | Piece table (connected) 2500x1250mm | 15 686 kr | | 18 675 kr |
| 41B250140 | Piece table (connected) 2500x1400mm | 16 216 kr | | 19 205 kr |
| 41C140100 | Piece table w cable door (stand-alone) 1400x1000mm | 17 177 kr | 17 602 kr | 20 166 kr |
| 41C140125 | Piece table w cable door (stand-alone) 1400x1250mm | 18 836 kr | 19 261 kr | 21 825 kr |
| 41C140140 | Piece table w cable door (stand-alone) 1400x1400mm | 19 346 kr | 19 771 kr | 22 335 kr |

EDSBYN

25% Rabatt skall dras av angivna priser

| Art.no. | Piece Conference Table | HPL | Veneer | Desktop |
|-----------|--|-----------|-----------|-----------|
| 41C160100 | Piece table w cable door (stand-alone) 1600x1000mm | 17 177 kr | 17 602 kr | 20 166 kr |
| 41C160125 | Piece table w cable door (stand-alone) 1600x1250mm | 17 749 kr | 18 174 kr | 20 738 kr |
| 41C160140 | Piece table w cable door (stand-alone) 1600x1400mm | 18 610 kr | 19 035 kr | 21 599 kr |
| 41C180100 | Piece table w cable door (stand-alone) 1800x1000mm | 17 752 kr | 18 177 kr | 20 741 kr |
| 41C180125 | Piece table w cable door (stand-alone) 1800x1250mm | 18 414 kr | 18 839 kr | 21 403 kr |
| 41C180140 | Piece table w cable door (stand-alone) 1800x1400mm | 19 404 kr | 19 829 kr | 22 393 kr |
| 41C210100 | Piece table w cable door (stand-alone) 2100x1000mm | 18 443 kr | 18 868 kr | 21 432 kr |
| 41C210125 | Piece table w cable door (stand-alone) 2100x1250mm | 19 069 kr | 19 494 kr | 22 058 kr |
| 41C210140 | Piece table w cable door (stand-alone) 2100x1400mm | 19 976 kr | 20 401 kr | 22 965 kr |
| 41C250100 | Piece table w cable door (stand-alone) 2500x1000mm | 18 700 kr | 19 125 kr | 21 689 kr |
| 41C250125 | Piece table w cable door (stand-alone) 2500x1250mm | 19 557 kr | 19 982 kr | 22 546 kr |
| 41C250140 | Piece table w cable door (stand-alone) 2500x1400mm | 20 338 kr | 20 763 kr | 23 327 kr |
| 41C280100 | Piece table w cable door (stand-alone) 2800x1000mm | 33 077 kr | 33 925 kr | 39 053 kr |
| 41C280125 | Piece table w cable door (stand-alone) 2800x1250mm | 35 198 kr | 36 046 kr | 41 174 kr |
| 41C280140 | Piece table w cable door (stand-alone) 2800x1400mm | 36 340 kr | 37 188 kr | 42 316 kr |
| 41C320100 | Piece table w cable door (stand-alone) 3200x1000mm | 33 077 kr | 33 925 kr | 39 053 kr |
| 41C320125 | Piece table w cable door (stand-alone) 3200x1250mm | 34 112 kr | 34 960 kr | 40 088 kr |
| 41C320140 | Piece table w cable door (stand-alone) 3200x1400mm | 35 604 kr | 36 452 kr | 41 580 kr |
| 41C360100 | Piece table w cable door (stand-alone) 3600x1000mm | 34 914 kr | 35 762 kr | 40 890 kr |
| 41C360125 | Piece table w cable door (stand-alone) 3600x1250mm | 36 098 kr | 36 946 kr | 42 074 kr |
| 41C360140 | Piece table w cable door (stand-alone) 3600x1400mm | 37 759 kr | 38 607 kr | 43 735 kr |
| 41C420100 | Piece table w cable door (stand-alone) 4200x1000mm | 35 605 kr | 36 453 kr | 41 581 kr |
| 41C420125 | Piece table w cable door (stand-alone) 4200x1250mm | 36 753 kr | 37 601 kr | 42 729 kr |
| 41C420140 | Piece table w cable door (stand-alone) 4200x1400mm | 38 332 kr | 39 180 kr | 44 308 kr |
| 41C500100 | Piece table w cable door (stand-alone) 5000x1000mm | 36 721 kr | 37 569 kr | 42 697 kr |
| 41C500125 | Piece table w cable door (stand-alone) 5000x1250mm | 38 325 kr | 39 173 kr | 44 301 kr |
| 41C500140 | Piece table w cable door (stand-alone) 5000x1400mm | 39 642 kr | 40 490 kr | 45 618 kr |

EDSBYN

25% Rabatt skall dras av angivna priser

| Art.no. | Piece Conference Table | HPL | Veneer | Desktop |
|-----------|--|-----------|-----------|-----------|
| 41D140100 | Piece table w cable door (connected) 1400x1000mm | 15 900 kr | | 18 889 kr |
| 41D140125 | Piece table w cable door (connected) 1400x1250mm | 16 362 kr | | 19 351 kr |
| 41D140140 | Piece table w cable door (connected) 1400x1400mm | 16 993 kr | | 19 982 kr |
| 41D160100 | Piece table w cable door (connected) 1600x1000mm | 15 900 kr | | 18 889 kr |
| 41D160125 | Piece table w cable door (connected) 1600x1250mm | 16 362 kr | | 19 351 kr |
| 41D160140 | Piece table w cable door (connected) 1600x1400mm | 16 993 kr | | 19 982 kr |
| 41D180100 | Piece table w cable door (connected) 1800x1000mm | 17 161 kr | | 20 150 kr |
| 41D180125 | Piece table w cable door (connected) 1800x1250mm | 17 684 kr | | 20 673 kr |
| 41D180140 | Piece table w cable door (connected) 1800x1400mm | 18 355 kr | | 21 344 kr |
| 41D210100 | Piece table w cable door (connected) 2100x1000mm | 17 161 kr | | 20 150 kr |
| 41D210125 | Piece table w cable door (connected) 2100x1250mm | 17 684 kr | | 20 673 kr |
| 41D210140 | Piece table w cable door (connected) 2100x1400mm | 18 355 kr | | 21 344 kr |
| 41D250100 | Piece table w cable door (connected) 2500x1000mm | 18 020 kr | | 21 009 kr |
| 41D250125 | Piece table w cable door (connected) 2500x1250mm | 18 767 kr | | 21 756 kr |
| 41D250140 | Piece table w cable door (connected) 2500x1400mm | 19 303 kr | | 22 292 kr |
| 41E120 | Piece table Ø1200mm | 9 150 kr | 8 902 kr | 10 783 kr |
| 41E140 | Piece table Ø1400mm | 9 337 kr | 9 089 kr | 10 970 kr |
| 41E160 | Piece table Ø1600mm | 11 113 kr | 10 865 kr | 12 746 k |
| 41E180 | Piece table Ø1800mm | 11 978 kr | 11 730 kr | 13 611 kr |
| 41F120 | Piece table with cable cover Ø1200mm | 12 810 kr | 12 382 kr | 14 671 kr |
| 41F140 | Piece table with cable cover Ø1400mm | 12 997 kr | 12 569 kr | 14 858 kr |
| 41F160 | Piece table with cable cover Ø1600mm | 14 774 kr | 14 346 kr | 16 635 kr |
| 41F180 | Piece table with cable cover Ø1800mm | 15 636 kr | 15 208 kr | 17 497 kr |

EDSBYN

25% Rabatt skall dras av angivna priser

| Art.no. | Piece Light Conference Table | Laminate | Desktop | HPL | Veneer |
|----------|--------------------------------------|-----------|-----------|-----------|-----------|
| 41G13080 | Piece light (stand-alone) 1300x800mm | 7 935 kr | 9 527 kr | 9 639 kr | 9 639 kr |
| 41G13090 | Piece light (stand-alone) 1300x900mm | 8 005 kr | 9 597 kr | 9 709 kr | 9 709 kr |
| 41G15080 | Piece light (stand-alone) 1500x800mm | 8 092 kr | 9 684 kr | 9 796 kr | 9 796 kr |
| 41G15090 | Piece light (stand-alone) 1500x900mm | 8 163 kr | 9 755 kr | 9 867 kr | 9 867 kr |
| 41G19080 | Piece light (stand-alone) 1900x800mm | 8 828 kr | 10 420 kr | 10 532 kr | 10 532 kr |
| 41G19090 | Piece light (stand-alone) 1900x900mm | 8 885 kr | 10 477 kr | 10 589 kr | 10 589 kr |
| 41G21080 | Piece light (stand-alone) 2100x800mm | 9 357 kr | 10 949 kr | 11 061 kr | 11 061 kr |
| 41G21090 | Piece light (stand-alone) 2100x900mm | 9 365 kr | 10 957 kr | 11 069 kr | 11 069 kr |
| 41G26080 | Piece light (stand-alone) 2600x800mm | 14 333 kr | 17 517 kr | 17 741 kr | 17 741 kr |
| 41G26090 | Piece light (stand-alone) 2600x900mm | 14 472 kr | 17 656 kr | 17 880 kr | 17 880 kr |
| 41G30080 | Piece light (stand-alone) 3000x800mm | 14 600 kr | 17 784 kr | 18 008 kr | 18 008 kr |
| 41G30090 | Piece light (stand-alone) 3000x900mm | 14 740 kr | 17 924 kr | 18 148 kr | 18 148 kr |
| 41G38080 | Piece light (stand-alone) 3800x800mm | 15 939 kr | 19 123 kr | 19 347 kr | 19 347 kr |
| 41G38090 | Piece light (stand-alone) 3800x900mm | 16 051 kr | 19 235 kr | 19 459 kr | 19 459 kr |
| 41G42080 | Piece light (stand-alone) 4200x800mm | 16 766 kr | 19 950 kr | 20 174 kr | 20 174 kr |
| 41G42090 | Piece light (stand-alone) 4200x900mm | 16 783 kr | 19 967 kr | 20 191 kr | 20 191 kr |
| 41H13080 | Piece light (connected) 1300x800mm | 6 398 kr | 7 990 kr | 8 102 kr | |
| 41H13090 | Piece light (connected) 1300x900mm | 6 467 kr | 8 059 kr | 8 171 kr | |
| 41H15080 | Piece light (connected) 1500x800mm | 6 508 kr | 8 100 kr | 8 212 kr | |
| 41H15090 | Piece light (connected) 1500x900mm | 6 577 kr | 8 169 kr | 8 281 kr | |
| 41H19080 | Piece light (connected) 1900x800mm | 7 111 kr | 8 703 kr | 8 815 kr | |
| 41H19090 | Piece light (connected) 1900x900mm | 7 166 kr | 8 758 kr | 8 870 kr | |
| 41H21080 | Piece light (connected) 2100x800mm | 7 410 kr | 9 002 kr | 9 114 kr | |
| 41H21090 | Piece light (connected) 2100x900mm | 7 418 kr | 9 010 kr | 9 122 kr | |

EDSBYN

25% Rabatt skall dras av angivna priser

| Art.no. | Piece Wood Conference Table | Laminate | Veneer | HPL | Desktop |
|----------|-------------------------------------|-----------|-----------|-----------|-----------|
| 41K13080 | Piece wood (stand-alone) 1300x800mm | 10 296 kr | 11 888 kr | 12 000 kr | 12 000 kr |
| 41K13090 | Piece wood (stand-alone) 1300x900mm | 10 367 kr | 11 959 kr | 12 071 kr | 12 071 kr |
| 41K15080 | Piece wood (stand-alone) 1500x800mm | 10 536 kr | 12 128 kr | 12 240 kr | 12 240 kr |
| 41K15090 | Piece wood (stand-alone) 1500x900mm | 10 609 kr | 12 201 kr | 12 313 kr | 12 313 kr |
| 41K19080 | Piece wood (stand-alone) 1900x800mm | 11 470 kr | 13 062 kr | 13 174 kr | 13 174 kr |
| 41K19090 | Piece wood (stand-alone) 1900x900mm | 11 527 kr | 13 119 kr | 13 231 kr | 13 231 kr |
| 41K21080 | Piece wood (stand-alone) 2100x800mm | 12 033 kr | 13 625 kr | 13 737 kr | 13 737 kr |
| 41K21090 | Piece wood (stand-alone) 2100x900mm | 12 089 kr | 13 681 kr | 13 793 kr | 13 793 kr |
| 41K26080 | Piece wood (stand-alone) 2600x800mm | 18 013 kr | 21 197 kr | 21 421 kr | 21 421 kr |
| 41K26090 | Piece wood (stand-alone) 2600x900mm | 18 153 kr | 21 337 kr | 21 561 kr | 21 561 kr |
| 41K30080 | Piece wood (stand-alone) 3000x800mm | 18 582 kr | 21 766 kr | 21 990 kr | 21 990 kr |
| 41K30090 | Piece wood (stand-alone) 3000x900mm | 18 729 kr | 21 913 kr | 22 137 kr | 22 137 kr |
| 41K38080 | Piece wood (stand-alone) 3800x800mm | 20 354 kr | 23 538 kr | 23 762 kr | 23 762 kr |
| 41K38090 | Piece wood (stand-alone) 3800x900mm | 20 467 kr | 23 651 kr | 23 875 kr | 23 875 kr |
| 41K42080 | Piece wood (stand-alone) 4200x800mm | 21 529 kr | 24 713 kr | 24 937 kr | 24 937 kr |
| 41K42090 | Piece wood (stand-alone) 4200x900mm | 21 641 kr | 24 825 kr | 25 049 kr | 25 049 kr |
| 41L13080 | Piece wood (connected) 1300x800mm | 7 716 kr | 9 308 kr | 9 420 kr | |
| 41L13090 | Piece wood (connected) 1300x900mm | 7 787 kr | 9 379 kr | 9 491 kr | |
| 41L15080 | Piece wood (connected) 1500x800mm | 8 046 kr | 9 638 kr | 9 750 kr | |
| 41L15090 | Piece wood (connected) 1500x900mm | 8 120 kr | 9 712 kr | 9 824 kr | |
| 41L19080 | Piece wood (connected) 1900x800mm | 8 884 kr | 10 476 kr | 10 588 kr | |
| 41L19090 | Piece wood (connected) 1900x900mm | 8 940 kr | 10 532 kr | 10 644 kr | |
| 41L21080 | Piece wood (connected) 2100x800mm | 9 496 kr | 11 088 kr | 11 200 kr | |
| 41L21090 | Piece wood (connected) 2100x900mm | 9 552 kr | 11 144 kr | 11 256 kr | |

EDSBYN

25% Rabatt skall dras av angivna priser

| Art.no. | Piece Wood Conference Table | Laminate | Veneer | HPL | Desktop |
|---------|-------------------------------------|----------|-----------|-----------|-----------|
| 41M120 | Piece wood Ø1200mm | | 13 277 kr | 11 644 kr | 11 396 kr |
| 41M140 | Piece wood Ø1400mm | | 13 465 kr | 11 832 kr | 11 584 kr |
| 41M160 | Piece wood Ø1600mm | | 16 974 kr | 15 341 kr | 15 093 kr |
| 41M180 | Piece wood Ø1800mm | | 17 838 kr | 16 205 kr | 15 957 kr |
| 41N120 | Piece wood with cable cover Ø1200mm | | 17 426 kr | 15 565 kr | 15 137 kr |
| 41N140 | Piece wood with cable cover Ø1400mm | | 17 614 kr | 15 753 kr | 15 325 kr |
| 41N160 | Piece wood with cable cover Ø1600mm | | 21 109 kr | 19 248 kr | 18 820 kr |
| 41N180 | Piece wood with cable cover Ø1800mm | | 21 974 kr | 20 113 kr | 19 685 kr |

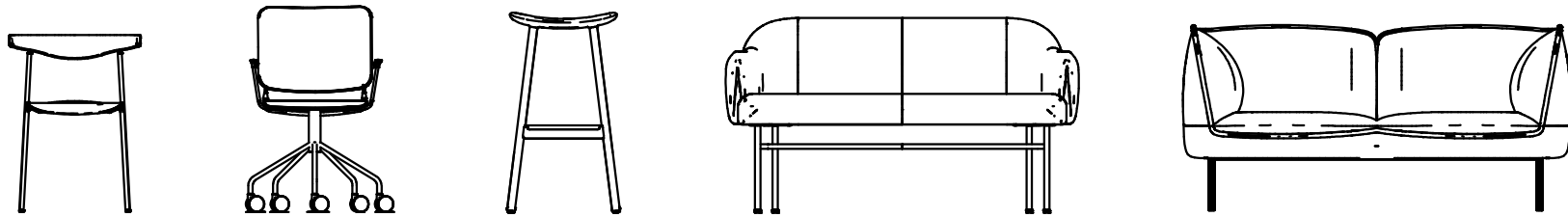
EDSBYN

25% Rabatt skall dras av angivna priser

Options

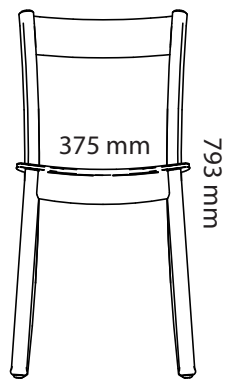
| Cable Management | Price |
|-----------------------------------|--------------|
| Cutout for Powerbox, Bi-Box Small | 453 kr |
| Cable cover | 1 028 kr |
| Legs | |
| 1060 mm | 1 096 kr |
| 1060 mm (Ø) | 799 kr |

Seating

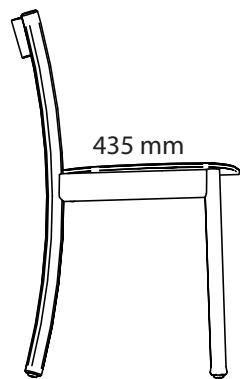


EDSBYN

25% Rabatt skall dras av angivna priser

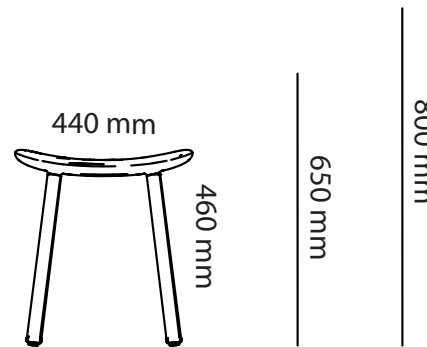


Length

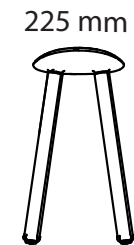


Width

Arc Chair



Length



Width

Arc Stool

SURFACE LAYER/COLOUR

Solid wood

- Solid Ash
- Solid Ash White Glazed
- Solid Ash Black Stained
- Solid Ash Fern Green
- Solid Ash Sandy Grey
- Solid Oak

EDSBYN

25% Rabatt skall dras av angivna priser

| Art.no. | Chair | PG1 |
|----------------|-------------------------|------------|
| 14690 | Arc chair | 4 148 kr |
| | Stool | |
| 18AH46 | Arc stool, height 460mm | 4 148 kr |
| 18AH65 | Arc stool, height 650mm | 4 830 kr |
| 18AH80 | Arc stool, height 800mm | 5 198 kr |

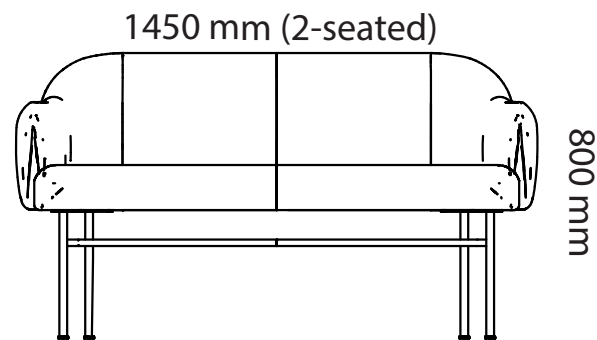
EDSBYN**25% Rabatt skall dras av angivna priser**

Clair Café Sofa

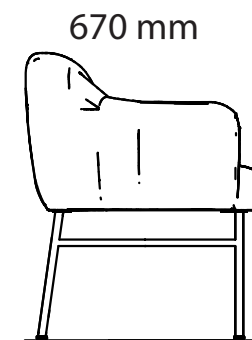
33

Color & Trim

| | Fabrics |
|----------------------|---|
| Price Group 2 | Ally Cura Grain Hello Reflect Select Sumi |
| Price Group 3 | Acton Auckland Capture Foster Hestan Main Line Flax Moore Node Remix Re-wool |
| Price Group 4 | Debut Divina MD Hallingdal 65 Rami Ritz Steelcut Trio Wolin |
| Leather | Elmosoft Leather |



Length



Width

All other materials and colors are offered as a custom order.

EDSBYN

25% Rabatt skall dras av angivna priser

Clair Café Sofa

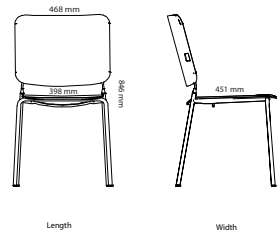
| Art.no. | 2-seated sofa | PG2 | PG3 | PG4 | PGL |
|----------------------|--------------------------|------------|------------|------------|------------|
| 30A2G2 | Clair Café 2-seated sofa | 20 656 kr | 24 033 kr | 26 112 kr | 38 323 kr |
| 3 seated sofa | | | | | |
| 30A3G2 | Clair Café 3-seated sofa | 24 033 kr | 28 711 kr | 31 309 kr | 42 351 kr |

EDSBYN

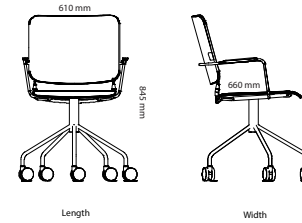
25% Rabatt skall dras av angivna priser

Color & Trim

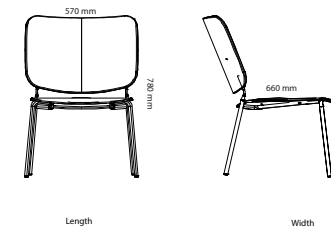
| | Fabrics |
|---------------|---|
| Price Group 1 | Event Era |
| Price Group 2 | Ally Cura Grain Hello Quest Reflect Select Sumi |
| Price Group 3 | Acton Auckland Capture Foster Hestan Main Line Flax Moore Node Remix Re-wool |
| Price Group 4 | Debut Divina MD Hallingdal 65 Rami Ritz Steelcut Trio Wolin |
| Leather | Elmosoft Leather |



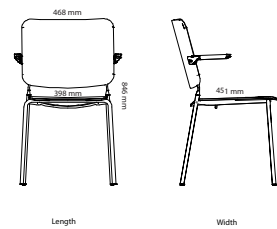
Feather chair



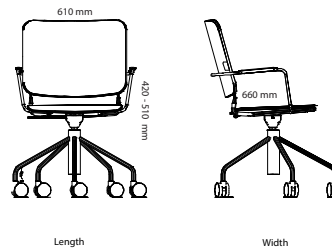
Feather swivel chair armrests



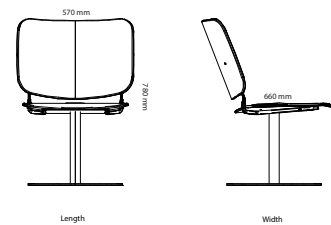
Feather lounge (Price quoted on request)



Feather chair armrests



Feather swivel-adjust chair armrests



Feather lounge swivel (Price quoted on request)

All other materials and colors are offered as a custom order.

Wood

Veneer

Birch
Oak

Stained Veneer

Black Stained Oak

Stand

Lacquer

White
Black
Silver
Chrome
Dark Chocolate
Misty Grey

EDSBYN

25% Rabatt skall dras av angivna priser

Feather Chair

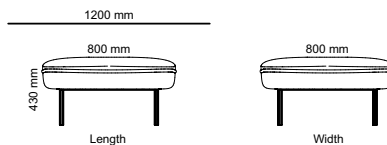
| Art.no. | Armchair | PG1 | PG2 | PG3 | PG4 | PGL |
|----------------------------|---|-----------|-----------|-----------|-----------|-----------|
| 5036BG1 | Feather armchair | 5 150 kr | 5 368 kr | 5 653 kr | 5 970 kr | 6 687 kr |
| 5036EG1 | Feather armchair Edge | 5 739 kr | 5 954 kr | 6 240 kr | 6 557 kr | 7 274 kr |
| Chair | | | | | | |
| 5034BG1 | Feather chair | 3 833 kr | 4 048 kr | 4 334 kr | 4 649 kr | 5 369 kr |
| 5035BG1 | Feather chair armrests | 4 421 kr | 4 635 kr | 4 920 kr | 5 237 kr | 5 957 kr |
| 5034EG1 | Feather chair Edge | 5 150 kr | 5 368 kr | 5 653 kr | 5 970 kr | 6 687 kr |
| 5035EG1 | Feather chair Edge armrests | 5 739 kr | 5 954 kr | 6 240 kr | 6 557 kr | 7 274 kr |
| Lounge armchair | | | | | | |
| 5066BGx | Feather lounge armchair | 7 857 kr | 8 121 kr | 8 605 kr | 9 189 kr | 10 217 kr |
| 5066EGx | Feather lounge armchair Edge | 8 535 kr | 8 799 kr | 9 283 kr | 9 868 kr | 10 895 kr |
| Swivel | | | | | | |
| 5022BG1 | Feather Swivel chair | 6 973 kr | 7 217 kr | 7 536 kr | 7 886 kr | 8 661 kr |
| 5023BG1 | Feather Swivel chair armrests | 7 562 kr | 7 806 kr | 8 124 kr | 8 472 kr | 9 247 kr |
| 5023EG1 | Feather Swivel chair Edge armrests | 8 459 kr | 8 702 kr | 9 023 kr | 9 372 kr | 10 149 kr |
| 5022EG1 | Feather Swivel chair Edge | 9 046 kr | 9 290 kr | 9 612 kr | 9 959 kr | 10 736 kr |
| Swivel Adjust Chair | | | | | | |
| 5026BG1 | Feather Swivel-adjust chair | 8 145 kr | 8 386 kr | 8 705 kr | 9 056 kr | 9 835 kr |
| 5027BG1 | Feather Swivel-adjust chair armrests | 8 733 kr | 8 974 kr | 9 293 kr | 9 645 kr | 10 421 kr |
| 5026EG1 | Feather Swivel-adjust chair Edge | 9 627 kr | 9 874 kr | 10 191 kr | 10 540 kr | 11 318 kr |
| 5027EG1 | Feather Swivel-adjust chair Edge armrests | 10 218 kr | 10 462 kr | 10 780 kr | 11 127 kr | 11 905 kr |

EDSBYN

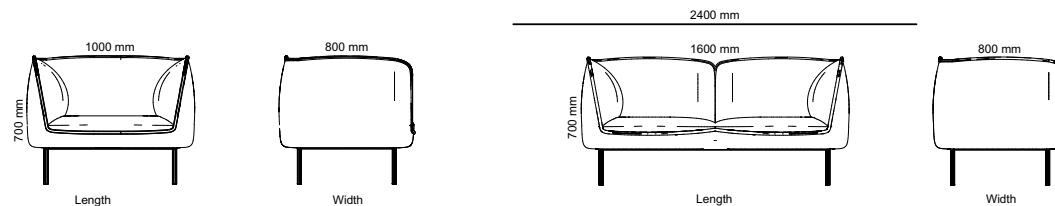
25% Rabatt skall dras av angivna priser

Color & Trim

| | Fabrics |
|----------------------|---|
| Price Group 2 | Ally Cura Grain Hello Reflect Select Sumi |
| Price Group 3 | Acton Auckland Capture Foster Hestan Main Line Flax Moore Node Remix Re-wool |
| Price Group 4 | Debut Divina MD Hallingdal 65 Rami Ritz Steelcut Trio Wolin |
| Leather | Elmosoft Leather |

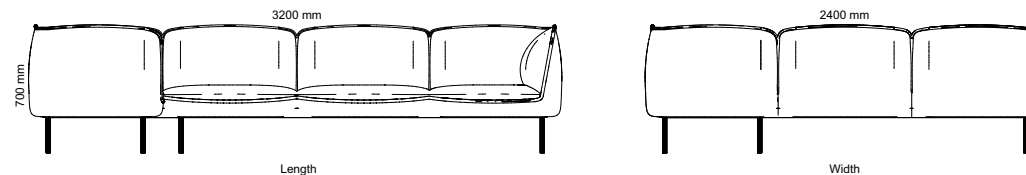


Footstool

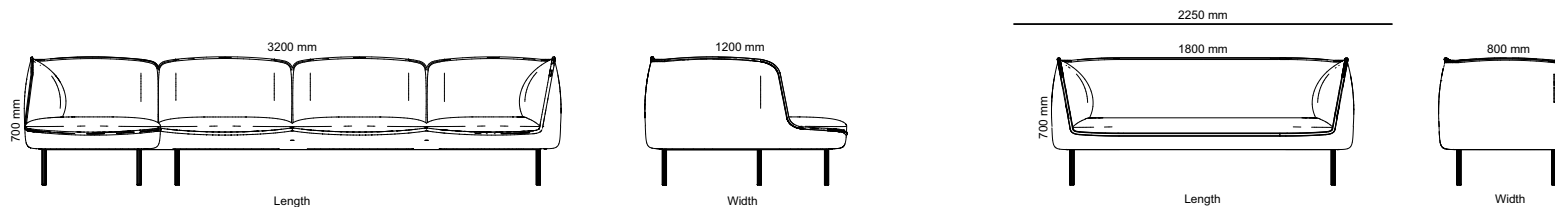


Armchair

Divided 2-seated & 3-seated sofa



Corner sofa



Chaise longue

2-seated & 3-seated sofa

All other materials and colors are offered as a custom order.

EDSBYN

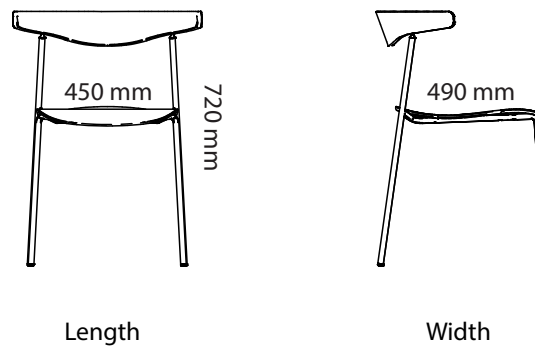
25% Rabatt skall dras av angivna priser

| Art.no. | 2-seated sofa | PG2 | PG3 | PG4 | PGL |
|-------------------------------------|---------------------------------|-----------|-----------|-----------|------------|
| 31A2G2 | Gather 2-seated sofa | 22 160 kr | 24 108 kr | 29 028 kr | 45 806 kr |
| 31B2G2 | Gather divided 2-seated sofa | 22 160 kr | 24 108 kr | 29 028 kr | 45 806 kr |
| 31C2G2 | Gather long 2-seated sofa | 28 089 kr | 30 408 kr | 36 209 kr | 59 903 kr |
| 3 seated & chaise lounge | | | | | |
| 31D31G2 | Gather 3-seated & chaise longue | 42 393 kr | 45 585 kr | 53 663 kr | 85 364 kr |
| 31D13G2 | Gather chaise longue & 3-seated | 42 393 kr | 45 585 kr | 53 663 kr | 85 364 kr |
| 3 seated sofa | | | | | |
| 31A3G2 | Gather 3-seated sofa | 29 992 kr | 32 601 kr | 39 191 kr | 63 987 kr |
| 31B3G2 | Gather divided 3-seated sofa | 29 992 kr | 32 601 kr | 39 191 kr | 63 987 kr |
| Armchair | | | | | |
| 31A1G2 | Gather armchair | 15 906 kr | 17 149 kr | 20 269 kr | 25 932 kr |
| Corner Sofa | | | | | |
| 31H23G2 | Gather corner sofa 2-C-3 | 58 473 kr | 63 382 kr | 75 773 kr | 124 992 kr |
| 31H32G2 | Gather corner sofa 3-C-2 | 58 473 kr | 63 382 kr | 75 773 kr | 124 992 kr |
| Foot Stool | | | | | |
| 31P1G2 | Gather footstool | 9 225 kr | 9 735 kr | 11 023 kr | 15 523 kr |
| 31P2G2 | Gather long footstool | 11 046 kr | 11 718 kr | 13 389 kr | 18 064 kr |

Color & Trim

| | Fabrics |
|----------------------|---|
| Price Group 1 | Event Era |
| Price Group 2 | Ally Cura Grain Hello Quest Reflect Select Sumi |
| Price Group 3 | Acton Auckland Capture Foster Hestan Main Line Flax Moore Node Remix Re-wool |
| Price Group 4 | Debut Divina MD Hallingdal 65 Rami Ritz Steelcut Trio Wolin |
| Leather | Elmosoft Leather |

All other materials and colors are offered as a custom order.



| | Wood | Veneer | Stained Veneer |
|--|--------------|--|----------------|
| | | Birch Oak | White Ash |
| | | All other materials and colors are offered separately | |
| | Stand | Lacquer | |
| | | White Black Silver Chrome Dark Chocolate Misty Grey | |
| | | All other materials and colors are offered separately | |

EDSBYN

25% Rabatt skall dras av angivna priser

Hug

40

| Art.no. | Chair | PG1 | PG2 | PG3 | PG4 | PGL | Veneer | Stained Veneer |
|---------|---------------------------------|----------|----------|----------|----------|----------|----------|----------------|
| 20693F | Hug chair with seat in veneer | | | | | | 1 886 kr | 2 110 kr |
| 20693K | Hug chair with upholstered seat | 2 800 kr | 2 914 kr | 3 004 kr | 3 202 kr | 3 426 kr | | |

Options

| Chair | Price |
|----------------------|--------|
| Connection fitting | 394 kr |
| Sound-absorbing foot | 90 kr |

EDSBYN

25% Rabatt skall dras av angivna priser

Modular Chair

Color & Trim

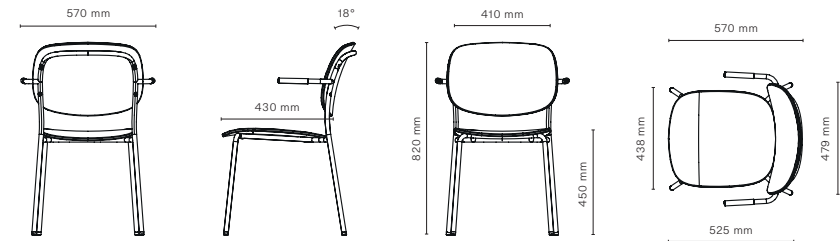
| | Fabrics |
|----------------------|---|
| Price Group 1 | Event Era |
| Price Group 2 | Ally Cura Grain Hello Quest Reflect Select Sumi |
| Price Group 3 | Acton Auckland Capture Foster Hestan Main Line Flax Moore Node Remix Re-wool |
| Price Group 4 | Debut Divina MD Hallingdal 65 Rami Ritz Steelcut Trio Wolin |
| Leather | Elmosoft Leather |

All other materials and colors are offered as a custom order.

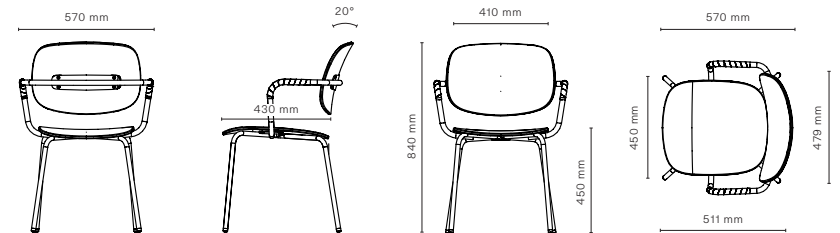
| Stand | Lacquer (Base) |
|-------|--|
| | Black Lacquer White Lacquer Chrome Green Lacquer – Price Group Edge Misty Grey – Price Group Edge Dark Chocolate – Price Group Edge |

| Wood | Veneer (Seat & Backrest) |
|------|---|
| | Oak White Glazed Oak Natural Ash White Glazed Ash Fern Green Oak Black Brown Stained Oak Black Stained |

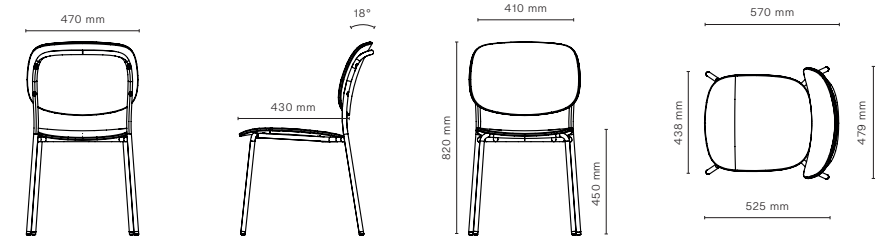
All other materials and colors are offered as a custom order.



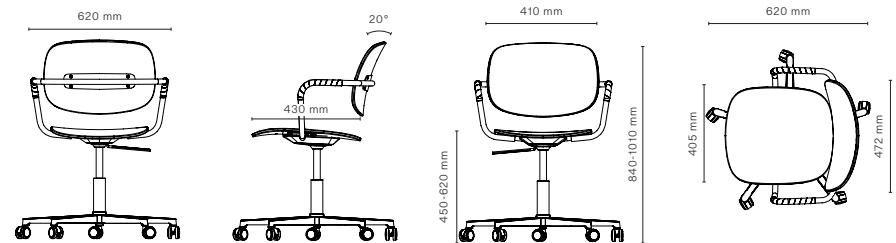
4-legged with armrest



4-legged X-base



4-legged without armrest



5-star Swivel

Modular Chair

42

| Art.no. | 4-legged with armrest | PG1 | PG2 | PG3 | PG4 | Leather | Wood |
|--|--|----------|----------|----------|----------|----------|----------|
| 77B1BT | Modular wood chair armrest | | | | | | 4 620 kr |
| 77B1ET | Modular wood chair armrest Edge | | | | | | 5 040 kr |
| 77B2BGx | Modular semi chair armrest, group 1 | 4 823 kr | 5 019 kr | 5 215 kr | 5 412 kr | 6 001 kr | |
| 77B2EGx | Modular semi chair armrest Edge, group 1 | 5 243 kr | 5 439 kr | 5 635 kr | 5 832 kr | 6 421 kr | |
| 77B3BGx | Modular upholstered chair armrest, group 1 | 5 158 kr | 5 368 kr | 5 578 kr | 5 788 kr | 6 418 kr | |
| 77B3EGx | Modular upholstered chair armrest Edge, group 1 | 5 578 kr | 5 788 kr | 5 998 kr | 6 208 kr | 6 838 kr | |
| 4-legged without armrest | | | | | | | |
| 77A1BT | Modular wood chair | | | | | | 3 885 kr |
| 77A1ET | Modular wood chair Edge | | | | | | 4 305 kr |
| 77A2BGx | Modular semi chair, group 1 | 4 173 kr | 4 369 kr | 4 565 kr | 4 762 kr | 5 351 kr | |
| 77A2EGx | Modular semi chair Edge, group 1 | 4 593 kr | 4 789 kr | 4 985 kr | 5 182 kr | 5 771 kr | |
| 77A3BGx | Modular upholstered chair, group 1 | 4 463 kr | 4 673 kr | 4 883 kr | 5 093 kr | 5 723 kr | |
| 77A3EGx | Modular upholstered chair Edge, group 1 | 4 883 kr | 5 093 kr | 5 303 kr | 5 513 kr | 6 143 kr | |
| 4-legged X-base with leather loop | | | | | | | |
| 77D1BT | Modular wood chair leather loop | | | | | | 5 460 kr |
| 77D1ET | Modular wood chair leather loop Edge | | | | | | 5 880 kr |
| 77D2BGx | Modular semi chair leather loop, group 1 | 5 813 kr | 6 009 kr | 6 206 kr | 6 402 kr | 6 991 kr | |
| 77D2EGx | Modular semi chair leather loop Edge, group 1 | 6 233 kr | 6 429 kr | 6 626 kr | 6 822 kr | 7 411 kr | |
| 77D3BGx | Modular upholstered chair leather loop, group 1 | 6 195 kr | 6 405 kr | 6 615 kr | 6 825 kr | 7 455 kr | |
| 77D3EGx | Modular upholster chair leather loop Edge, group 1 | 6 615 kr | 6 825 kr | 7 035 kr | 7 245 kr | 7 875 kr | |
| 77C1BT | Modular wood chair loop | | | | | | 5 145 kr |
| 77C1ET | Modular wood chair loop Edge | | | | | | 5 565 kr |
| 77C2BGx | Modular semi chair loop, group 1 | 5 498 kr | 5 694 kr | 5 891 kr | 6 087 kr | 6 676 kr | |
| 77C2EGx | Modular semi chair loop Edge, group 1 | 5 918 kr | 6 114 kr | 6 311 kr | 6 507 kr | 7 096 kr | |
| 77C3BGx | Modular upholstered chair loop, group 1 | 5 880 kr | 6 090 kr | 6 300 kr | 6 510 kr | 7 140 kr | |
| 77C3EGx | Modular upholstered chair loop Edge, group 1 | 6 300 kr | 6 510 kr | 6 720 kr | 6 930 kr | 7 560 kr | |

EDSBYN

25% Rabatt skall dras av angivna priser

| Art.no. | 5-star Swivel with leather loop | PG1 | PG2 | PG3 | PG4 | Leather | Wood |
|--|--|----------|----------|----------|----------|----------|----------|
| 77F1BT | Modular wood swivel chair leather loop | | | | | | 7 245 kr |
| 77F1ET | Modular wood swivel chair leather loop Edge | | | | | | 7 665 kr |
| 77F2BGx | Modular semi swivel chair leather loop, group 1 | 7 433 kr | 7 629 kr | 7 826 kr | 8 022 kr | 8 611 kr | |
| 77F2EGx | Modular semi swivel chair leather loop Edge, grp 1 | 7 853 kr | 8 049 kr | 8 246 kr | 8 442 kr | 9 031 kr | |
| 77F3BGx | Modular upholster swivel chair leather loop, grp 1 | 7 928 kr | 8 138 kr | 8 348 kr | 8 558 kr | 8 348 kr | |
| 77F3EGx | Modular upholst swiv chair leather loop Edge, grp1 | 8 348 kr | 8 558 kr | 8 768 kr | 8 978 kr | 9 608 kr | |
| 5-star Swivel with plastic loop | | | | | | | |
| 77E1BT | Modular wood swivel chair loop | | | | | | 6 930 kr |
| 77E1ET | Modular wood swivel chair loop Edge | | | | | | 7 350 kr |
| 77E2BGx | Modular semi swivel chair loop, group 1 | 7 118 kr | 7 314 kr | 7 511 kr | 7 707 kr | 8 296 kr | |
| 77E2EGx | Modular semi swivel chair loop Edge, group 1 | 7 538 kr | 7 734 kr | 7 931 kr | 8 127 kr | 8 716 kr | |
| 77E3BGx | Modular upholstered swivel chair loop, group 1 | 7 613 kr | 7 823 kr | 8 033 kr | 8 243 kr | 8 873 kr | |
| 77E3EGx | Modular upholster swivel chair loop Edge, group 1 | 8 033 kr | 8 243 kr | 8 453 kr | 8 663 kr | 9 608 kr | |

EDSBYN

25% Rabatt skall dras av angivna priser

Accessories

| Art.no. | Accessories | Price |
|------------|--|----------|
| 9067870105 | Axessline Connection cable GST, 3 m for Docky | 317 kr |
| 9067870106 | Axessline Connection cable GST, 5 m for Docky | 374 kr |
| 9067870098 | Axessline Desk 3 Power, USB-A, USB-C Charge & Data | 1 337 kr |
| 9067870083 | Axessline Desk UK 2 power, 2 USB | 987 kr |
| 9067870093 | Axessline Duo 30 312,5x148mm Black | 1 168 kr |
| 9067840093 | Axessline Duo 30 312,5x148mm Silver | 1 168 kr |
| 9067860093 | Axessline Duo 30 312,5x148mm White | 1 092 kr |
| 9067870094 | Axessline Duo 60 612,5x148 mm Black | 1 759 kr |
| 9067840094 | Axessline Duo 60 612,5x148mm Silver | 1 759 kr |
| 9067860094 | Axessline Duo 60 612,5x148mm White | 1 759 kr |
| 9067870102 | Axessline Extension cable GST, 2 m for Docky | 334 kr |
| 9067870103 | Axessline Extension cable GST, 3 m for Docky | 391 kr |

EDSBYN

25% Rabatt skall dras av angivna priser

Accessories

| Art.no. | Accessories | Price |
|------------|---|----------|
| 9067870104 | Axessline Extension cable GST, 5 m | 410 kr |
| 9067840031 | Axessline Mounting Bracket 160mm Silver | 288 kr |
| 9067840032 | Axessline Mounting Bracket 335mm Silver | 290 kr |
| 9067800003 | Axessline Outlets - 2 Power 1 Data 2 USB Charger | 1 385 kr |
| 9067800014 | Axessline Outlets - 5 Power 4 Data 2 USB 1 HDMI | 1 979 kr |
| 9067800013 | Axessline Outlets-2 Power 2 Data 2 USB 1 HDMI | 1 299 kr |
| 9067840033 | Axessline PDU Tray 370x200mm Silver | 360 kr |
| 9067870034 | Axessline PDU Tray 670x220mm Black | 571 kr |
| 9067840034 | Axessline PDU Tray 670x220mm Silver | 571 kr |
| 9067860034 | Axessline PDU Tray 670x220mm White | 571 kr |
| 9067800005 | Axessline Powercord 2 m | 252 kr |
| 9067800008 | Axessline QuickBox - 2 Power 2 USB Charger 2 Data | 1 462 kr |
| 9067870072 | Axessline Ø60mm Wireless charger Black | 979 kr |
| 9067800072 | Axessline Ø60mm Wireless charger Brushed steel | 979 kr |
| 9067860072 | Axessline Ø60mm Wireless charger White | 979 kr |
| | | 88 kr |
| 9067700093 | Bi-Box large Black | 3 241 kr |
| 9067700092 | Bi-Box large Silver | 3 241 kr |
| 9067700094 | Bi-Box large White | 3 241 kr |
| 9067700086 | Bi-Box small Black | 1 853 kr |
| 9067700085 | Bi-Box small Silver | 1 853 kr |
| 9067700087 | Bi-Box small White | 1 853 kr |
| 9068854080 | Cable box Ø80mm Aluminium with brush | 117 kr |
| 9068870080 | Cable box Ø80mm Black | 47 kr |

EDSBYN

25% Rabatt skall dras av angivna priser

Accessories

| Art.no. | Accessories | Price |
|------------|--------------------------------------|--------|
| 9068875080 | Cable box Ø80mm Black with brush | 117 kr |
| 9068810080 | Cable box Ø80mm Chrome | 84 kr |
| 9068840080 | Cable box Ø80mm Silver | 47 kr |
| 9068844080 | Cable box Ø80mm Silver with brush | 94 kr |
| 9068860080 | Cable box Ø80mm White | 47 kr |
| 9067770038 | Cable tray Conference Black | 703 kr |
| 9067720038 | Cable tray Conference Dark Chocolate | 978 kr |
| 9067730038 | Cable tray Conference Misty Grey | 978 kr |
| 9067740038 | Cable tray Conference Silver | 703 kr |
| 9067760038 | Cable tray Conference White | 703 kr |
| 9038670001 | Cable tray Flex 2.0 Black | 850 kr |
| 9038660001 | Cable tray Flex 2.0 White | 850 kr |
| 9067070000 | Cable tray Flexi Black | 972 kr |
| 9067040000 | Cable tray Flexi Silver | 972 kr |
| 9067060000 | Cable tray Flexi White | 972 kr |
| 9067770008 | Cable tray Halfpipe 1150mm Black | 696 kr |
| 9067740008 | Cable tray Halfpipe 1150mm Silver | 696 kr |
| 9067760008 | Cable tray Halfpipe 1150mm White | 696 kr |
| 9067770007 | Cable tray Halfpipe 790mm Black | 555 kr |
| 9067740007 | Cable tray Halfpipe 790mm Silver | 555 kr |
| 9067760007 | Cable tray Halfpipe 790mm White | 555 kr |
| 9067870016 | Cable tray LiftPipe 1050mm Black | 692 kr |
| 9067840016 | Cable tray LiftPipe 1050mm Silver | 692 kr |
| 9067860016 | Cable tray LiftPipe 1050mm White | 692 kr |
| 9067840017 | Cable tray LiftPipe 1450mm Silver | 878 kr |
| 9067840015 | Cable tray LiftPipe 650mm Silver | 493 kr |
| 9067772001 | Cable tray Piece Light/Wood Black | 586 kr |

EDSBYN

25% Rabatt skall dras av angivna priser

Accessories

| Art.no. | Accessories | Price |
|------------|--|--------|
| 9067722001 | Cable tray Piece Light/Wood Dark Chocolate | 586 kr |
| 9067732001 | Cable tray Piece Light/Wood Misty Grey | 586 kr |
| 9067742001 | Cable tray Piece Light/Wood Silver | 586 kr |
| 9067762001 | Cable tray Piece Light/Wood White | 586 kr |
| 9067870099 | Docky - 4 Power outlets | 332 kr |
| 9067870100 | Docky - 4 Power, USB-A & USB-C Charger | 700 kr |
| 9067870101 | Docky - 6 Power outlets | 540 kr |
| 9067840056 | File & Catalogue holder Silver | 723 kr |
| 9067860056 | File & Catalogue holder White | 723 kr |
| 9038670002 | Fittings for sliding tabletop | 252 kr |
| 9067870014 | Cable tray Ränna 720mm Black | 212 kr |
| 9067860014 | Cable tray Ränna 720mm White | 212 kr |

EDSBYN

25% Rabatt skall dras av angivna priser

Accessories

48

| Art.no. | Accessories | Price |
|---------|-------------|-------|
|---------|-------------|-------|

EDSBYN

25% Rabatt skall dras av angivna priser

Accessories

| Art.no. | Accessories | Price |
|------------|---|----------|
| 9067840059 | Port Replicator holder Silver | 298 kr |
| 9067860059 | Port Replicator holder White | 542 kr |
| 9067700095 | Power inlay for Bi-Box large | 2 037 kr |
| 9067700096 | Power inlay for Bi-Box large | 2 316 kr |
| 9067700088 | Power inlay for Bi-Box small | 1 011 kr |
| 9067700089 | Power inlay for Bi-Box small | 1 480 kr |
| 9067700030 | Powerbox Silver (3 power, 2 network) | 2 928 kr |
| 9067700050 | Powerbox White (3 power, 2 network) | 3 245 kr |
| 9067870069 | Powerdot Bracket Mini Double Black | 300 kr |
| 9067860069 | Powerdot Bracket Mini Double White | 300 kr |
| 9067870068 | Powerdot Bracket Mini Single Black | 272 kr |
| 9067860068 | Powerdot Bracket Mini Single White | 272 kr |
| 9067870078 | Powerdot Micro - 1 USB-A & 1 USB-C, 5V 3A, Black | 516 kr |
| 9067860078 | Powerdot Micro - 1 USB-A & 1 USB-C, 5V 3A, White | 516 kr |
| 9067870087 | Powerdot MICRO UK Adapter | 411 kr |
| 9067800078 | Powerdot MICRO Ø30mm 2 USB Brass | 825 kr |
| 9067870039 | Powerdot MIDI Ø60mm 1 Power 1 Cable-through Black | 288 kr |
| 9067860039 | Powerdot MIDI Ø60mm 1 Power 1 Cable-through White | 288 kr |
| 9067870040 | Powerdot MIDI Ø60mm 1 Power 1 USB Black | 501 kr |
| 9067860040 | Powerdot MIDI Ø60mm 1 Power 1 USB White | 501 kr |

EDSBYN

25% Rabatt skall dras av angivna priser

Accessories

| Art.no. | Accessories | Price |
|------------|--|----------|
| 9067870086 | Powerdot MIDI Ø60mm UK 1 Power 1 Hole Black | 304 kr |
| 9067870089 | Powerdot MIDI Ø60mm UK 1 Power 1 USB Black | 552 kr |
| 9067870066 | Powerdot MINI Ø51mm - 1 Power Black | 278 kr |
| 9067860066 | Powerdot MINI Ø51mm - 1 Power White | 278 kr |
| 9067870067 | Powerdot MINI Ø51mm - 2 USB charger Black | 470 kr |
| 9067860067 | Powerdot MINI Ø51mm - 2 USB charger White | 470 kr |
| 9067870062 | Powerdot Ø80mm 1 power 1 USB 1 USB-C 2 hole Black | 932 kr |
| 9067860062 | Powerdot Ø80mm 1 power 1 USB 1 USB-C 2 hole White | 932 kr |
| 9067870041 | Powerdot Ø80mm 1 Power 2 USB 1 Cable-through Black | 794 kr |
| 9067860041 | Powerdot Ø80mm 1 Power 2 USB 1 Cable-through White | 794 kr |
| 9067870036 | Powerdot Ø80mm Power 4 Holes Black incl. frame | 351 kr |
| 9067870001 | Powerdot Ø80mm Power 4 Magic Holes Black | 300 kr |
| 9067860001 | Powerdot Ø80mm Power 4 Magic Holes White | 300 kr |
| 9067860002 | Powerdot Ø80mm Power 4 Magic Holes White | 799 kr |
| 9067870002 | Powerdot Ø80mm Power 4 Magic Holes White | 799 kr |
| 9067840026 | Powerdot Ø80mm Power Data USB Charger Black | 821 kr |
| 9067860026 | Powerdot Ø80mm Power Data USB Charger White | 821 kr |
| 9067870084 | Powerdot Ø80mm UK Power 4 Cable-through Black | 300 kr |
| 9067870085 | Powerdot Ø80mm UK Power Data USB Black | 901 kr |
| | | |
| | | |
| | | |
| | | |
| | | |
| | | |
| | | |
| | | |
| | | |
| | | |
| 9067870090 | Self-closing braided tube Ø25mm, 25 m Black | 2 652 kr |
| 9067860090 | Self-closing braided tube Ø25mm, 25 m White | 2 652 kr |

Accessories

51

| Art.no. | Accessories | Price |
|------------|---|----------|
| 9067870107 | TopAccess T-junction 1 - 2 | 362 kr |
| 9067870108 | TopAccess T-junction 1 - 3 | 412 kr |
| 9067870088 | UK Adapter for Qi Wireless charger | 669 kr |
| 9067870097 | USB C laddare 120W | 1 441 kr |
| 9067870095 | USB C laddare 20W | 416 kr |
| 9067870096 | USB C laddare 60W | 806 kr |
| 9067840044 | Whiteboard W:165mm H:225mm with shelf for pencils | 782 kr |
| 9067770022 | Wire cable tray 490mm Black | 188 kr |
| 9067740022 | Wire cable tray 490mm Silver | 189 kr |
| 9067760022 | Wire cable tray 490mm White | 223 kr |
| 9067770032 | Wire cable tray 780mm Black | 292 kr |
| 9067740032 | Wire cable tray 780mm Silver | 292 kr |
| 9067760032 | Wire cable tray 780mm White | 346 kr |

EDSBYN

25% Rabatt skall dras av angivna priser

AB Event Lindelöf.



Stockholm
Hornsgatan 29
118 49 Stockholm

Tel. 08-442 70 00
info.avtal@lindelof.se

Östersund
Hornsgatan 29
118 49 Stockholm

Tel. 08-442 70 00
info.avtal@lindelof.se



25% Rabatt skall dras av angivna priser